

230<sub>VAC</sub>

# BILL50M BILL50ML

## LINEAR TELESCOPIC OPERATOR

personalised release key

up to 4.5 m



### CONTROL UNITS:

**BILL50M** — BRAINY HEADY  
**BILL50ML** — BRAINY HEADY

## BENINCA

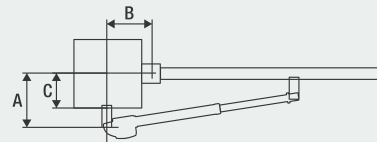
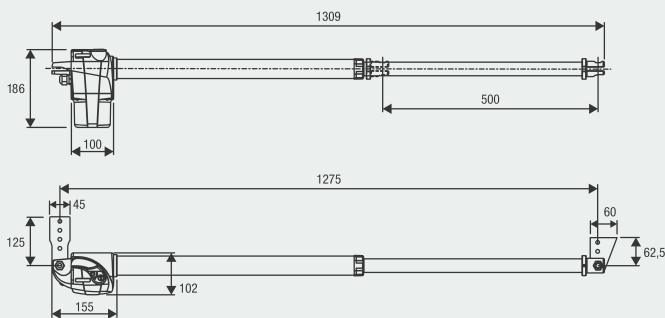
**100%**  
Made in Italy



## 230 Vac

- Irreversible 230 Vac electromechanical geared motor with easy access release from above
- Neat design and size, particularly suited to forged iron gates
- Easy and quick to install due to compact size and installation geometry
- Worm protected by a scraper ring and stainless steel stem, suitable for use in dusty and sandy environments or where there are aggressive atmospheric agents
- Available in right or left version
- BILL50ML version for large doors and confined installation geometry

www.beninca.com



| A (mm)  | B (mm)  | C (mm) |
|---------|---------|--------|
| 120-250 | 120-250 | 80-190 |

BENINCA

### COMPLETE KITS



MOTORS

KBILL50M

2x **BILL50M**

CONTROL UNIT

1x **HEADY**

PHOTOCELLS

1x **PUPILLA.R**

FLASHING LIGHT

1x **LAMPI.LED**

SELECTOR

1x **TOKEY**

TRANSMITTER

1x **TO.GO2VA**



**B.SR**  
Multiposition brackets for one operator.



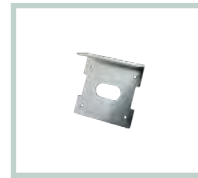
**BILL50.CO**  
Telescopic stem cover accessory.



**DU.V96**  
12 Vac/dc vertical electric lock, supplied with counterplate. Permits internal/external release.



**DU.V90**  
12 Vac/dc horizontal electric lock, supplied with counterplate. Permits internal/external release.



**DU.9990**  
Covering plate for DU.V90.



**E.LOCK**  
230 Vac vertical electric lock, supplied with counterplate.



**E.LOCKSE**  
Extended cylinder for E.LOCK electric lock. It allows unlocking gates up to 55mm-thick from the outside.



**ID.TA**  
Warning board.



**IRI.TX4VA**  
4-channel transmitter with Advanced Rolling Code and Rolling Code.



**IRI.TX4AK**  
4-channel transmitter with Advanced Rolling Code and Fixed Code.



**IRI.LAMP**  
White full range flashing light, 20-255 VAC with built-in aerial.



**IRI.KPAD**  
Battery operated wireless vandal-proof digital keypad with alert buzzer and backlit buttons. Triple coding: Rolling Code, Programmable Code and Advanced Rolling Code. 254 memorisable codes.



**IRI.CELL**  
Pair of vandal-proof metal covers for PUPILLA/PUPILLA.R photocells, comprising front and rear shells with concealed screw. They can maintain perfect orientation over 180°.



**PUPILLA**  
Pair of photocells adjustable to 180°. Option to synchronise up to 4 pairs, 24 VAC/DC power supply. Easy adjustment through a LED that signals optimal alignment. Compact size: 36x110x35 mm

**AUTOMATISMI BENINCÀ SpA** • Via del Capitello, 45 • 36066 Sandrigo (VI) ITALY • T +39 0444 751030 • sales@beninca.com

| TECHNICAL DATA        | BILL50M*          | BILL50ML          |
|-----------------------|-------------------|-------------------|
| Power supply          | 230 Vac (50-60Hz) | 230 Vac (50-60Hz) |
| Motor supply          | 230 Vac           | 230 Vac           |
| Max absorbed current  | 1.1 A             | 1.2 A             |
| Max Thrust            | 2800 N            | 3100 N            |
| Opening time          | 21"               | 32"               |
| Duty cycle            | 30%               | 30%               |
| Standard stroke       | 500 mm            | 500 mm            |
| Max stroke            | 520 mm            | 520 mm            |
| Protection level      | IP54              | IP54              |
| Operating temperature | -20°C /+50°C      | -20°C /+50°C      |
| Leaf max dimension    | 4.0 m             | 4.5 m             |
| Weight                | 6.9 kg            | 7.1 kg            |
| Items no. per pallet  | 48                | 48                |
| Kit weight            | 16.2 kg           | ---               |
| Kits no. per pallet   | 30                | ---               |

\* Available in 115 VAC version