


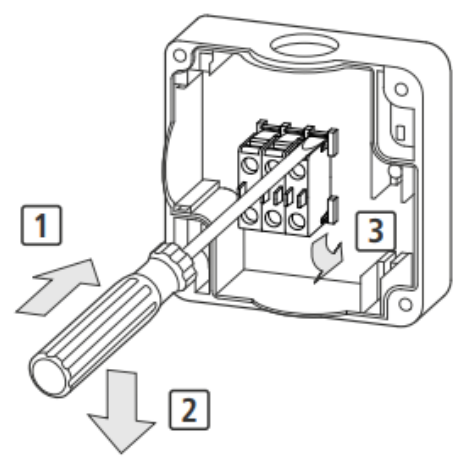
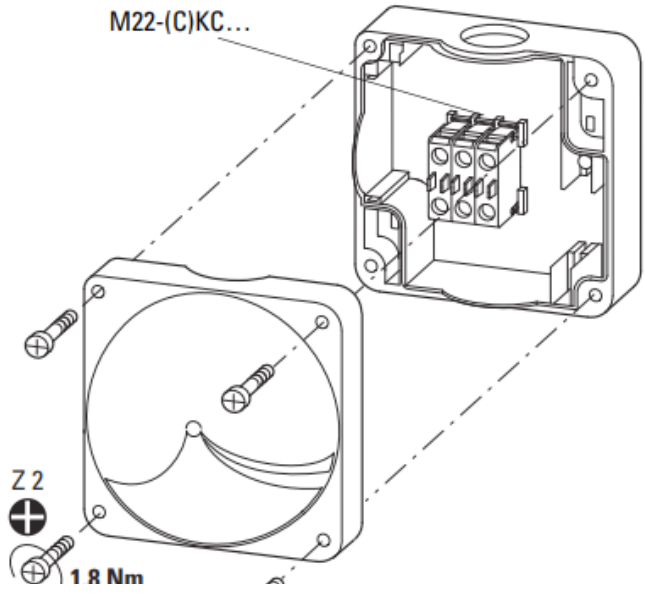
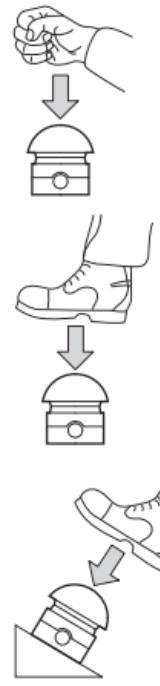
 M = 0.8 Nm (M = 7.08 lb-in)		
	2 x 0.75 - 1.5 mm ²	2 x AWG18 - AWG16
	2 x 0.75 - 1.5 mm ²	2 x AWG18 - AWG16
	2 x 0.75 - 1.5 mm ²	2 x AWG18 - AWG16

→ 60/75 °C Cu wire only



FAK-...



FAK-.../V/...



FAK-... + L-...

