



DoorBird
Technology meets Design.



Installation Manual (Pages 2-16)

IP VIDEO INDOOR STATION

A1101 Series



Installationsanleitung (Seite 17-32)

IP VIDEO INNENSTATION

A1101 Serie

INSTALLATION MANUAL

Read these instructions carefully before starting to use any components. Keep the manual so you can refer to it at a later date if required. If you hand over the device to other persons for use, please hand over the operating manual as well.

You can always find the most up-to-date version of the installation manual on www.doorbird.com/support

To make things easier we use the term “device” for the product “DoorBird IP Video Indoor Station A1101” and “mobile device” for a smartphone or tablet.

Liability

Every care has been taken in the preparation of this document. Please inform Bird Home Automation GmbH of any inaccuracies or omissions. Bird Home Automation GmbH cannot be held responsible for any technical or typographical errors and reserves the right to make changes to the product and manuals without prior notice. Bird Home Automation GmbH makes no warranty of any kind with regard to the content of this document, including, but not limited to, the implied warranties of merchantability and fitness for a particular purpose. Bird Home Automation GmbH shall neither be liable nor responsible for incidental or consequential damages in connection with the furnishing, performance or use of this material. This product is only to be used for its intended purpose.

Equipment Modifications

This equipment must be installed and used in strict accordance with the instructions given in the user documentation. This equipment contains no components that require service by the user. Unauthorized equipment changes or modifications will invalidate all applicable regulatory certifications and approvals.

Symbols used



Danger: Indicates a hazardous situation which, if not avoided, will result in death or serious injury.



Warning: Indicates a hazardous situation which, if not avoided, could result in death or serious injury.



Caution: Indicates a hazardous situation which, if not avoided, could result in minor or moderate injury.



Notice: Indicates a situation which, if not avoided, could result in damage to property.



Important: Indicates significant information which is essential for the product to function correctly.



Note: Indicates useful information which helps in getting the most out of the product.

Hazard information



WARNING

- Mounting, installation and servicing work on electrical devices may only be performed by a qualified electrician. Failure to observe this regulation could result in the risk of serious damage to health or fatal injury due to electric shocks.
- Devices with 110-240 V connection: The device may only be connected to an easily accessible power socket outlet. The mains adapter must be pulled out if a hazard occurs.
- For power supply, only use the original plug-in mains adapter delivered with the device or a recommended PoE-Switch /PoE-Injector as specified in this manual.
- Because of electrostatic charging, direct contact with the circuit board can result in destruction of the device. Direct contact with the circuit board must therefore be avoided at any time.
- Observe the EN 60065 resp. EN 60950 resp. EN 62368 standard.
- Do not use the device if there are signs of damage to the housing, control elements or connecting sockets, for example, or if it demonstrates a malfunction. If you have any doubts, please have the device checked by an authorized expert.
- Do not open the device. This voids the warranty of the device. The device does not contain any parts that can be maintained by the user. In the event of an error, please have the device checked by an authorized expert.
- For safety, approval and licensing reasons (CE/FCC/IC etc.), unauthorized change and/or modification of the device is not permitted.
- The device is not a toy; do not allow children to play with it. Do not leave packaging material lying around. Plastic films/bags, pieces of polystyrene, etc. can be dangerous in the hands of a child.
- Always lay cables in such a way that they do not become a risk to people and domestic animals.
- Voltage is applied to parts within the equipment. Do not touch any parts that are

**WARNING**

not associated with the installation, wiring, or connection. Electric shock could result.

- On devices which are not marked as weather-proof: Keep the device away from water or any other liquid.
- Do not install or make any wire terminations while power supply is plugged in. It can cause electric shock or damage to the device.
- Before turning on power, make sure wires are not crossed or shorted. If not, fire or electric shock could result.
- High voltage may be present internally. Do not open the device. Electric shock could result.
- The device is not of explosion-proof. Do not install or use near gases or flammable materials. Fire or explosion could result.
- Do not install two power supplies in parallel to a single input. Fire or damage to the device could result. Be sure to connect a single power supply to the device.
- Do not connect any terminal on the device to an AC power line. Fire or electric shock could result.
- Keep AC cord from being marred or crushed. If the AC cord is fractured, fire or electric shock could result.
- Do not plug or unplug with wet hands. Electric shock could result.
- Do not put any metal or flammable material into the device. Fire, electric shock, or device trouble could result.
- Existing wiring such as chime wiring, etc. may contain high voltage AC electricity. Damage to the device or electric shock could result. Wiring and installation must be done by a qualified electrician.
- When mounting the device on a wall or ceiling, install the device in a convenient location, but not where it could be jarred or bumped. Injury could result.
- On devices with ground terminals, connect to an earth ground. Otherwise fire or malfunction could result.
- On devices with plastic or real glass, do not put high pressure on the glass. If fractured, injury could result.
- On devices with LCD, if LCD is punctured, do not allow contact with the liquid crystal inside. Injury could result. If necessary, gargle your mouth and clean your eyes or skin with

clear water for at least 15 minutes and consult your doctor.

- Do not put anything on the device or cover the device with cloth, silicone, glue, coating, separate covering etc. Fire or device issues could result.
- Do not install the device in any of the following locations. Fire, electric shock, or device trouble could result.
 - Places under direct sunlight or places near heating equipment that varies in temperature.
 - Places subject to dust, oil, chemicals, hydrogen sulfide (hot spring).
 - Places subject to moisture and humidity extremes, such as bathrooms, cellars, greenhouses, etc.
 - Places where the temperature is very low, such as inside a refrigerated area or in front of an air conditioner.
 - Places subject to steam or smoke (e.g. near heating or cooking surfaces).
 - Where noise generating devices such as dimmer switches or inverter electrical appliances are closeby.
 - Locations subject to frequent vibration or impact.
- On devices with intercom, be sure to perform a call test with low audio volume on both intercom devices. A sudden call etc. may arrive causing for example damage to your ear.
- If the device does not operate properly, unplug the power supply.
- All devices which are not marked as weather-proof are designed for indoor use only. Do not use outdoor.
- On devices which are marked weather-proof: Do not spray with high-pressure water. Device issues could result.
- We do not assume any liability for damage to property or personal injury caused by improper use or the failure to observe the hazard information. In such cases, any claim under warranty ceases. For consequential damages, we assume no liability!

Safety instructions

- The device shall be used in compliance with local laws and regulations.
- Store the device in a dry and ventilated environment.
- Avoid exposing the device to shocks or heavy pressure.

NOTICE

- Do not install the device on unstable brackets, surfaces or walls. Make sure the material is strong enough to support the weight of the device.
- Use only applicable tools when installing the device. Using excessive force with tools could cause damage to the device.
- Do not use chemicals, caustic agents, or aerosol cleaners.
- Use a clean dry cloth for cleaning.
- Use only accessories that comply with technical specification of the device. These can be provided by Bird Home Automation GmbH.
- Use only spare parts provided by or recommended by Bird Home Automation GmbH.
- Do not attempt to repair the device by yourself. Contact Bird Home Automation GmbH for service matters.
- Keep the device more than 1 m (3.3') away from microwave, radio, TV, wireless router and any other wireless devices.
- On devices with intercom or built-in speaker or built-in microphone or signal transmission functions, keep the wires more than 30 cm (12") away from AC 100-240 V wiring. AC induced noise and/or device malfunction could result.
- Install the device in an area that will be accessible for future inspections, repairs and maintenance.
- If the device is used close to a cellular phone, the device may malfunction.
- The device can be damaged if dropped. Handle with care.
- The device turns inoperative during power failure.
- On devices with intercom or built-in speaker or built-in microphone, in areas where cellular or Radio / TV broadcasting station antennas are closeby, the device may be affected by radio frequency interference.
- On devices with LCD screen, it must be noted in advance that the LCD panel, though manufactured with very high precision techniques, inevitably will have a very small portion of its picture elements always lit or not lit at all. This is not considered a device malfunction.
- On devices with intercom, due to the environmental sound around the device, it

may hinder smooth communication, but this is not a malfunction.

- On devices with Username/Password, the Username/Password to access the device is the customer's responsibility. Make sure to use password that cannot be easily guessed by a third party. We recommend that you change the Password on a regular basis.
- We will, under no circumstances, be liable for damage that occurs due to failures in power supply, network equipment or terminal devices; failures due to Internet providers and cellular network providers; failures such as disconnected lines and other losses in communication, which makes it impossible to provide this service as well as in any way delay this service due to any other causes outside of our responsibility; or if an error or missing data occurs during transmission.

Transportation

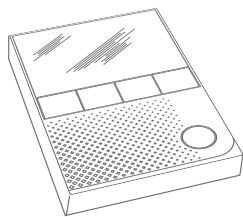
NOTICE

When transporting the device, use the original packaging or equivalent to prevent damage to the device.

Warranty Information

For information about the device warranty, see www.doorbird.com/warranty

COMPONENTS



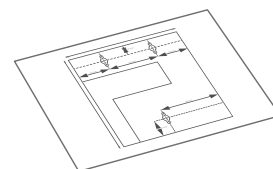
1x Device



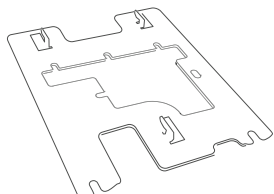
1x Installation manual



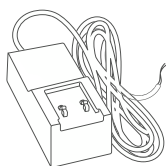
1x Quickstart guide
with Digital Passport



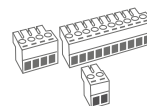
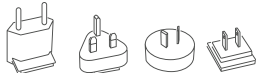
1x Drilling template



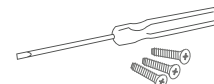
1x Mounting bracket



1x Power supply unit (mains adaptor)
with four country-specific adaptors



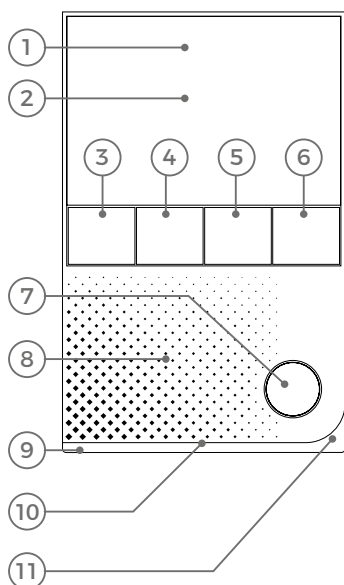
3x Green screw
connection terminal
plugs



Small parts

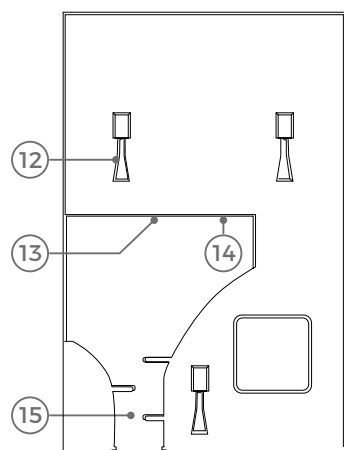
DEVICE

Front



- 1) Gorilla® Glass
- 2) Touch Display
- 3) Button "Open door"
- 4) Button "Favourite"
- 5) Button "Mute"
- 6) Button "Menu"
- 7) Button "Enable listen and talk"
- 8) Speaker
Large-sized broadband speaker
- 9) LED Status Bar
To visualize ring events etc.
- 10) Diagnostic-LEDs
To visualize the current status of the device
- 11) Microphone

Back



- 12) Mounting points
To mount the device on the mounting bracket
- 13) Screw connection terminal
- 14) Setup button (SET)
of the device, to e.g. configure the WiFi interface
of the device using the DoorBird App
- 15) Cable clamp

VIDEOS

Need help with the installation? Be sure to watch our installation videos which can be found on <http://www.doorbird.com/support>

Each individual step of the installation is clearly documented in the videos.

INSTALLATION

All the steps below should be carried out carefully by a competent adult, taking into consideration any applicable safety regulations. Please contact us directly or seek the advice of a competent specialist.



Please ensure that all wires used for the installation are undamaged along their entire length and approved for this type of use.

Network speed and network components

Please ensure that the upload speed of your Internet connection is at least 0.5 Mbps. The user experience is only as good as your network speed, network stability and quality of your network components, such as your Internet Router and WiFi access points or WiFi repeaters. Please also make sure that your network components are no older than two years, have been manufactured by a well-known manufacturer, and have the latest firmware installed.

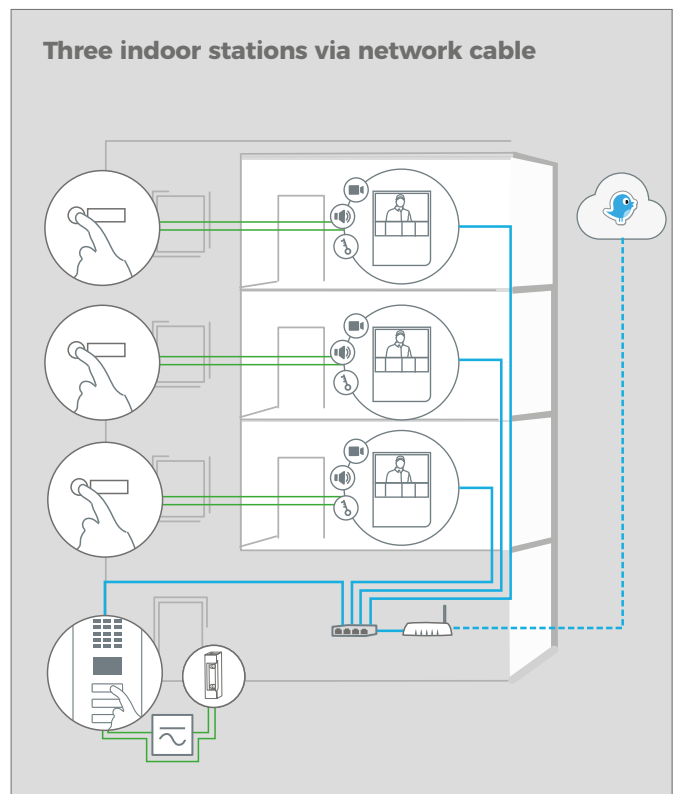
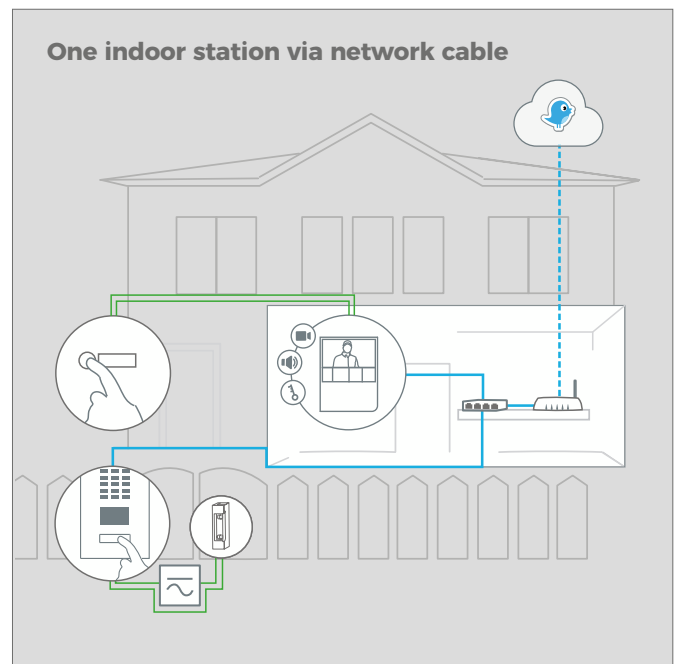
Should these requirements not be fulfilled, it may occur, for example, that the performance of audio and video is poor or push notifications are delayed or do not arrive on your smartphone or tablet at all.

Requirements:

High-speed Internet (via landline): DSL, cable or optical fibre

Network: Ethernet, with DHCP

INSTALLATION EXAMPLES



Storey-call button



Indoor Station

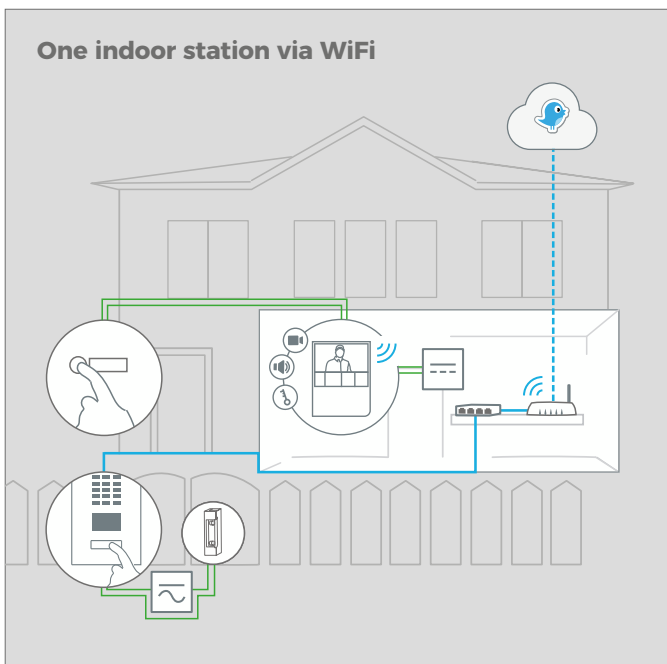


DoorBird IP Video Door Station



Electric door or gate opener. Can be secured via DoorBird I/O Door Controller if required (remote safety relay)

One indoor station via WiFi



STEP 1: SWITCHING OFF POWER



Switch off the power to all wires leading to the assembly location, i.e. the door chime, electric door opener, power supply unit, PoE-Switch/ PoE-Injector etc.

STEP 2: DISMANTLING THE EXISTING INDOOR STATION

Should there already be an indoor station on the wall, please remove it.

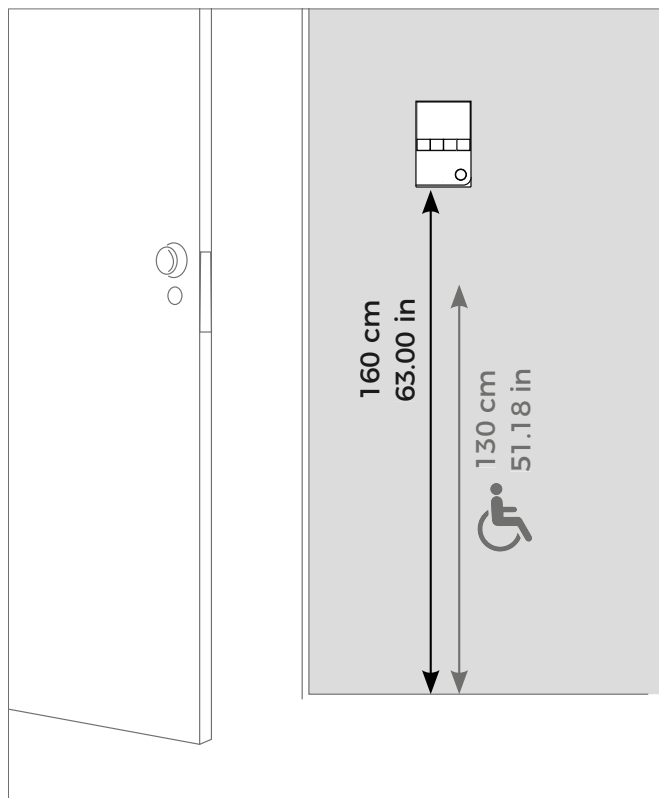
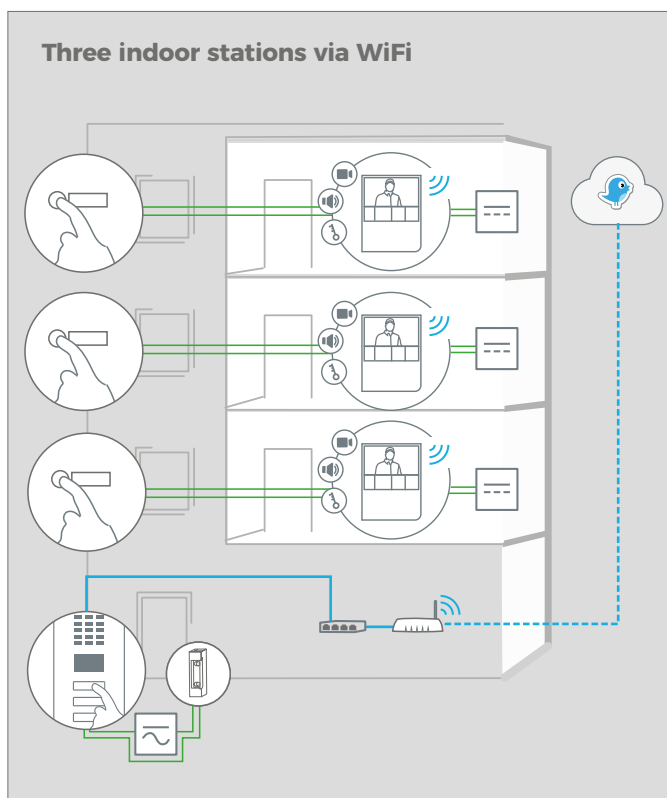
STEP 3: DETERMINING THE ASSEMBLY LOCATION



The device is designed for indoor-use only.

Recommended installation height: 160 cm / 63 in
 Recommended installation height for people with impairments / disabilities: 130 cm / 51 in

Three indoor stations via WiFi



Power over Ethernet (PoE) Switch



Router with High-speed Internet, DHCP



Seperate power supply
15 V DC, 1 A



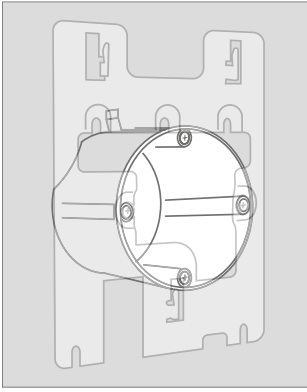
Seperate power supply
12 V DC, 1 A



Network cable



2-wire-cable



The mounting bracket may be used in connection with a standard 68 mm (2.68 in) hollow-wall box, which means you do not have to drill separate holes into the wall: You can use the existing screw holes of the hollow-wall box and skip STEP 4.

If there is no hollow-wall box at the assembly location: Press the drilling template of the device against the wall or ceiling at the desired installation site and mark the boreholes with a pencil. Remove the drilling template again. Ensure that no cables are to be found in the wall or ceiling behind the boreholes.



As an alternative to wall mounting, you can also mount the device on a table stand (DoorBird A8003 Table Stand for IP Video Indoor Station A1101).

STEP 4: DOWELS

If the wall of the house is not made of wood, you should drill dowel holes 5 mm in diameter in the wall according to the drilling template and then place the dowels provided into the boreholes.



If you must drill holes in a wall, insert screws into a wall or lever up a wall, ensure that no cables or mains (gas, water, etc.) are to be found in the wall.

If the wall of the house is made of wood, dowels are normally not required. There are special dowels for assembling the device on an insulating wall, e.g. Fischer insulating dowels.

Please check with your insulating material manufacturer regarding which dowels they recommend.

STEP 5: NETWORK CONNECTION OPTIONS

You can connect the device to the network by either using a network cable or a WiFi 2.4 GHz connection.

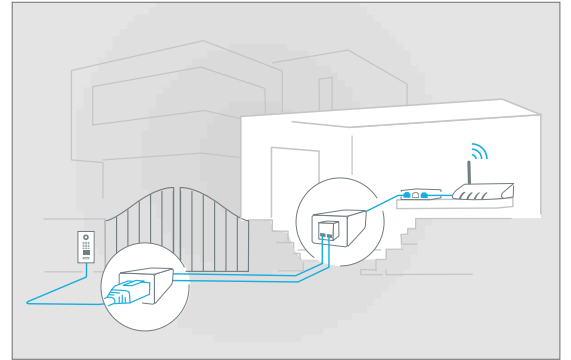


**OPTION 1:
NETWORK CABLE
(RECOMMENDED, MAINTENANCE FREE)**

Install a network cable (which is plugged into a network switch / router with Internet access) from the inside of your building to the assembly location. The network cable between the assembly location and the network switch / router can have a maximum length of 80 m/262 ft (IEEE 802.3). If you must span a distance of more than 80 meters/262 feet you can put a network switch inbetween.



If you have only two wires available at the assembly location, you may use the "DoorBird 2-Wire Ethernet PoE Converter A1071", sold separately. It allows you to transfer network data (Ethernet) and power (PoE) with a simple two-wire cable over long distances. For example, existing buildings with a simple two-wire bell wire can be equipped with network technology without having to retrofit any network cables.



**OPTION 2:
WIFI 2.4 GHZ**



For reasons of network stability, we principally recommend using a network cable, as WiFi is sensitive to interference (range, house walls acting as shields, reliability of performance, third party WiFi networks, wireless transmitters causing interference in the area, etc.).

When using WiFi please make sure you have a good WiFi signal at the assembly location of the device. You can increase the WiFi signal by using so called "WiFi repeaters", which can boost your WiFi signal. You should install such a WiFi repeater close to the assembly location of the device, typically inside your home and close to the device.

STEP 6: PREPARE POWER SUPPLY

The device does not have a battery as power supply, therefore, choose one of the following options.



**OPTION 1:
POWER SUPPLY USING THE POWER
SUPPLY UNIT (MAINS ADAPTOR)**

To power the device using the provided mains adapter, 2 insulated wires are required. The power supply unit has a 300 cm (9.8 ft) long cable with two insulated wires. The network connection is then established via a network cable or alternatively via WiFi.



The provided mains adaptor is only capable to power one device. It is not designed to power multiple devices simultaneously.

If you must power more than one device with one power supply, we recommend to use a PoE-Switch with PoE Standard IEEE 802.3af Mode A or an appropriate DIN rail power supply (see "OPTION 3").



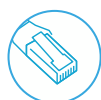
Do not plug the power supply unit into the wall socket yet.

Only use the power supply unit (see "OPTION 3") provided along with the device, or a DIN-rail power supply unit that you can obtain from us separately, since this has been specially stabilized electrically and is equipped with an integrated audio interference reduction device. Other power supply units may destroy the device or cause poor transmission quality. The warranty automatically expires if you use a different power supply unit.

The power supply unit is plugged into a wall socket inside your house (Step 10), usually where the two wires from your assembly location come out of the wall in the interior of the house.



The provided mains adapter is not outdoor-ready, it is for indoor-use only.



OPTION 2: POWER SUPPLY AND NETWORK CONNECTION USING POE (POWER OVER ETHERNET)

To power the device via a PoE-Switch (e.g. D-Link DGS-1008P) or PoE-Injector (e.g. DoorBird Gigabit PoE Injector A1091), use a CAT.5 cable or higher in accordance with the PoE standard IEEE 802.3af Mode A.

A CAT.5 cable or higher must be used for this purpose, as network signals can only be transmitted over completely insulated, shielded and twisted cables. If you use PoE as a source of power, the four wires for PoE then simultaneously form the data line. The device will not start if your PoE-Switch/PoE-Injector does not support the PoE Standard IEEE 802.3af Mode A. Please check www.doorbird.com/poe for known incompatibilities.



If you must power more than one device with one power supply, we recommend to use a PoE-Switch with PoE Standard IEEE 802.3af Mode A or an appropriate DIN rail power supply (see "OPTION 3").



Theoretically (not recommended by us!), an unshielded, but over the whole length (max. 80 m/262 ft) twisted bell wire with two pairs of wires (first twisted pair of wires: "T+, T-",

second twisted pair of wires "R+, R-") can be used for the network and PoE transmission as an alternative to a Cat.5 network cable or better. This is comparable to a Cat.3 network cable. In this case, however, we cannot guarantee the data throughput or the stability of the network connection and power supply; this must be measured and checked on site by qualified personnel over several hours (network data is transmitted at high frequency, therefore a shielded Cat.5 network cable twisted in pairs or better must normally be used).

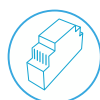


Do not combine the power supply from the power supply unit (mains adaptor) with the power supply via PoE.

You can find further information about PoE here:
<http://www.doorbird.com/poe>



1. Disconnect the PoE-Switch or PoE-Injector from the power grid.
2. Place the network cable in the installation site of the device.



OPTION 3: POWER SUPPLY USING A DIN RAIL POWER SUPPLY UNIT

Alternatively to the mains adapter, we offer DIN rail power supplies in our online shop, which can be installed by a specialist. The network connection is then made via a network cable or alternatively via WiFi.



If you must power more than one device with one power supply, we recommend to use a PoE-Switch with PoE Standard IEEE 802.3af Mode A or an appropriate DIN rail power supply.

Planning information to power multiple devices with a single DIN rail power supply unit

You must plan the cabling for the DIN rail power supply of the devices carefully, if you want to install more than one device in your building with a single DIN rail power supply unit.

The device has a power consumption of 5 Watt and an input voltage range from 15 to 48 VDC.

Each cable / wire has a specific load limit and loop resistance and power loss for physical reasons. The planning of the cabling, maximum number of devices and power supply depends on this. The following information will help you to plan the power supply installation in the building.



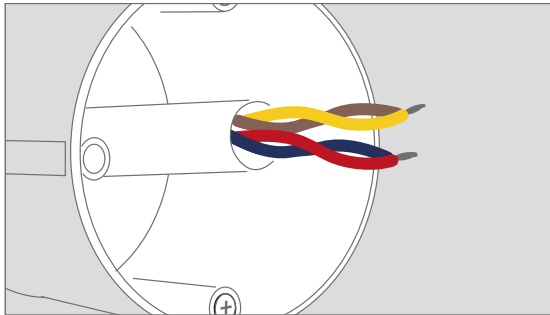
Please calculate the maximum number of devices and the power supply carefully, matching to the wire diameter and cable length. Wrong calculation and installation can lead to overheating, damage, electrical short and fire.



The wire diameter is the inner metal core only, not the inner metal core plus the jacket.



Often more than two wires are available on-site for the connection of an indoor station. The maximum current can be doubled to increase the maximum number of installable devices by using two wires for one core. In this case, the two wires must be twisted at both ends. The applied voltage must not exceed 48 VDC.



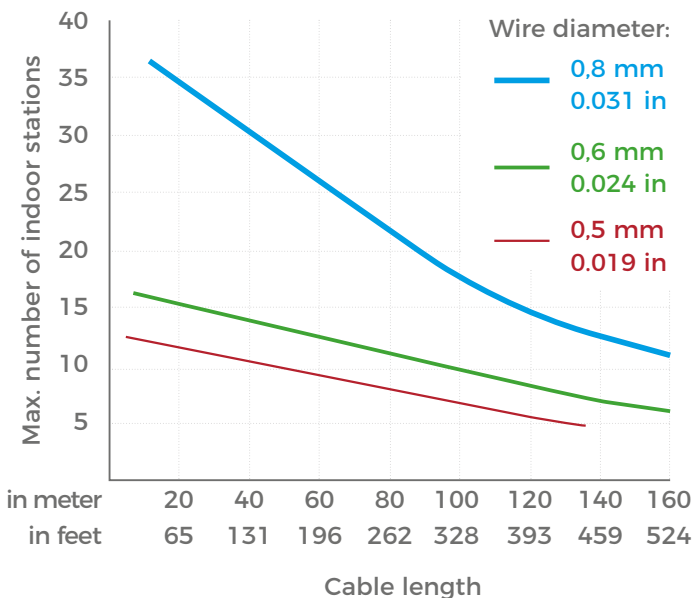
If shielded cables are used, the shielding should be connected to each other.

INFORMATION FOR PLANNERS OF NEW BUILDINGS

If you know how many devices must be installed and you know the length of the cables, you can check the following chart to see which wire diameter is required.



The following scenario is calculated and visualized in a chart under the worst-case scenario that all devices are connected to the rearmost end of cable in the building. In practice, the devices are distributed more or less evenly over the cable length / floors.

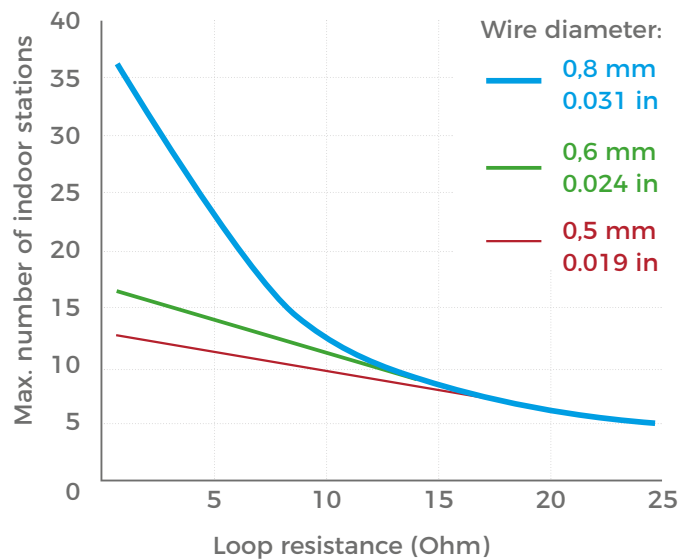


INFORMATION FOR PLANNERS OF EXISTING BUILDINGS

The length of the cables in existing buildings is often unknown and can only be roughly estimated. The diameter of the wires and the loop resistance (ohm) are known or at least easy measurable. This makes it possible to determine the maximum number of devices that can be connected to a single wire pair.

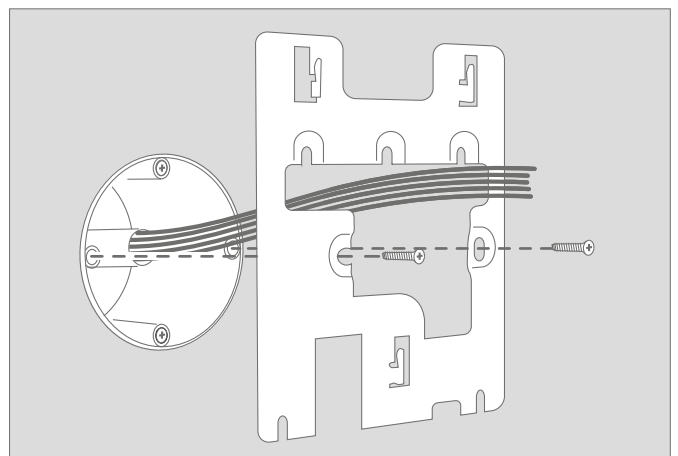


The following scenario is calculated and visualized in a chart under the worst-case scenario that all devices are connected to the rearmost end of cable in the building. In practice, the devices are distributed more or less evenly over the cable length / floors.



The loop resistance can easily be measured by switching off the power supply on the wires to be measured and applying a short-circuit to the lines to be measured on one side and measuring the resistance on the other side of the wires with a multimeter.

STEP 7: ASSEMBLE THE MOUNTING BRACKET



Lead all cables and wires you want to connect to the device through the mounting bracket. Screw the mounting bracket to the wall.

STEP 8: CONNECTING THE DEVICE

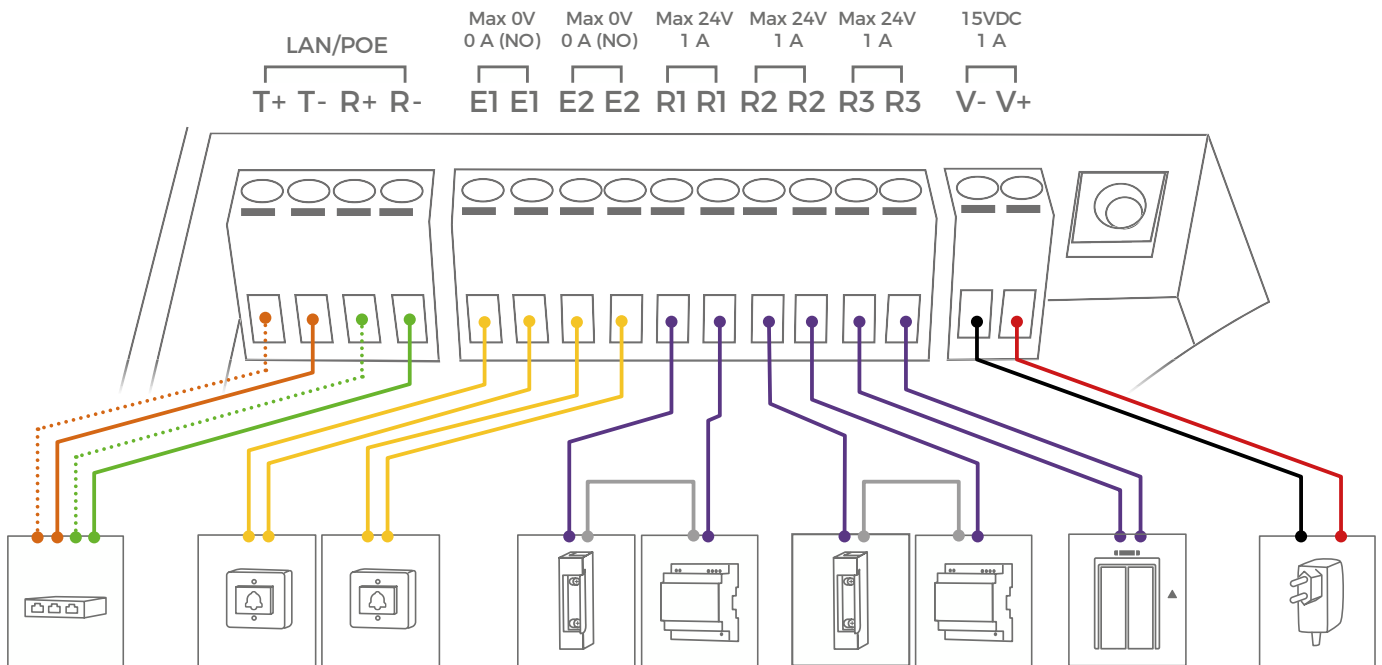
It is possible to connect the cables and wires to the device conveniently and safely via the labelled screw connection terminal. You can connect all necessary cables and wires to the device now.



For easier installation we strongly recommend to remove the plug from screw connection terminal while you connect the cables and wires.



Please remove any cables and wires from the connection ports of the device that you do not need.



PORT

DESCRIPTION

LAN/POE

The device does not have an integrated standardized RJ45 socket to ensure ...

- that the device rests as flat as possible on the wall.
- that no wall needs to be levered up.
- that a strong and inflexible Cat.6 or Cat.7 installation cable can be used.

Use only four wires (1, 2, 3 and 6) of a standard Network cable Cat.5 or better, coming from the Internet Router/PoE-Switch/PoE-Injector.

Cat.5 / Cat.6 Network cable

- T+ White and orange network cable wire (Number 1, Transmit Data +)
- T- Orange network cable wire (Number 2, Transmit Data -)
- R+ White and green network cable wire (Number 3, Receive Data +)
- R- Green network cable wire (Number 6, Receive Data -)

Cat.7 Network cable (Installation cable)

- T+ White network cable wire from pair "orange/white" (Number 1, Transmit Data +)
- T- Orange network cable wire from pair "orange/white" (Number 2, Transmit Data -)
- R+ White network cable wire from pair "green/white" (Number 3, Receive Data +)
- R- Green network cable wire from pair "green/white" (Number 6, Receive Data -)

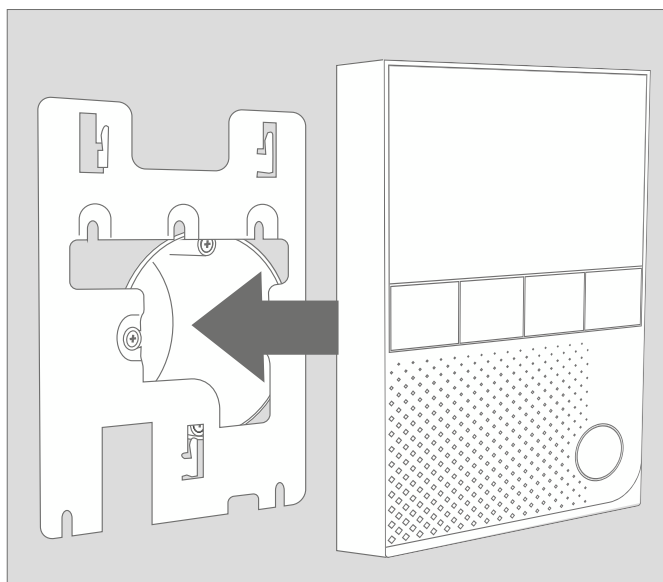


Do not power the device simultaneously via the power supply from the power supply unit (mains adaptor) and the power supply via PoE.

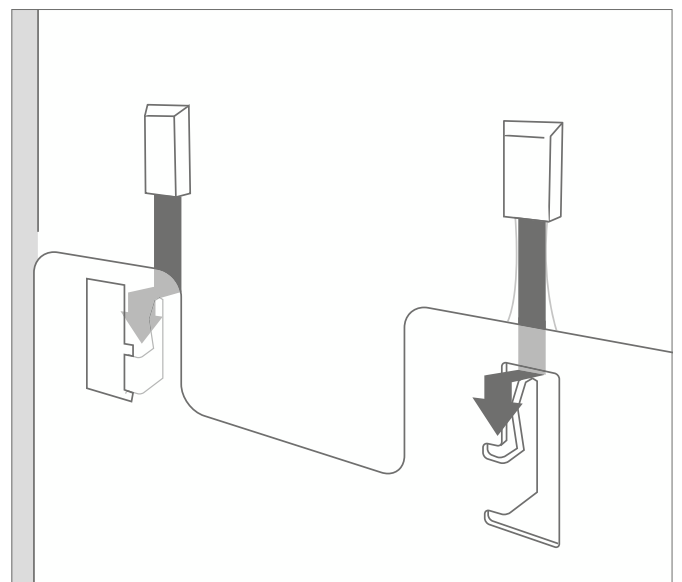
E1, E1	Digital input (0 V, 0 A (NO)), e.g. for storey-call button
E2, E2	Digital input (0 V, 0 A (NO)), e.g. for a second storey-call button
R1, R1	Bi-stable latching relay #1, max. 24 V DC/AC, 1 Ampere . Security feature: The relay keeps its state even in the case of loss of power. You can configure the default state of the relay (open/close) via the DoorBird App. These ports can be used to connect e.g. an electric door opener or to call an elevator. The device does not supply power to the connected device. The power supply for the electric door opener must be installed separately.
R2, R2	Bi-stable latching relay #2, max. 24 V DC/AC, 1 Ampere . Security feature: The relay keeps its state even in the case of loss of power. You can configure the default state of the relay (open/close) via the DoorBird App. These ports can be used to connect e.g. an electric door opener or to call an elevator. The device does not supply power to the connected device. The power supply for the electric door opener must be installed separately.
R3, R3	Bi-stable latching relay #3, max. 24 V DC/AC, 1 Ampere . Security feature: The relay keeps its state even in the case of loss of power. You can configure the default state of the relay (open/close) via the DoorBird App. These ports can be used to connect e.g. an electric door opener or to call an elevator. The device does not supply power to the connected device. The power supply for the electric door opener must be installed separately.
15 VDC -	<p>15 to 48 V DC Power supply input, negative pole (-). Please connect the black wire of the power supply unit (mains adaptor) supplied with this device if you do not power the device using PoE.</p> <p>NOTICE Do not power the device simultaneously via the power supply from the power supply unit (mains adaptor) and the power supply via PoE.</p>
15 VDC +	<p>15 to 48 V DC Power supply input, positive pole (+). Please connect the red wire of the power supply unit (mains adaptor) supplied with the device here, if you do not power the device using PoE.</p> <p>NOTICE Do not power the device simultaneously via the power supply from the power supply unit (mains adaptor) and the power supply via PoE.</p>

NOTICE Please take care when connecting the cables and wires. Connecting the cables and wires the wrong way may damage the device. Wires without insulation material must not protrude out of the green screw connection terminal plugs, it may lead to electrical short and damage the device.

STEP 9: ASSEMBLE THE DEVICE TO THE MOUNTING BRACKET



Put the device on the mounting bracket.



Pull the device down carefully, so it locks in place.

STEP 10: ACTIVATE THE DEVICE

If the device is to be supplied with power by a mains adapter, plug the power adapter of the device into a wall socket. If the device is to be powered via PoE, switch on the PoE-Switch/ PoE-Injector which is connected to the device. If the device is to be powered via DIN-rail power supply, switch on the DIN-rail power supply.

The Diagnostic-LEDs indicate whether the device is supplied with power. These LEDs light up in blue color immediately after you have connected the device to the power supply. The device is now ready for operation.

If the Diagnostic LED does not light up, please check the power supply. When using a wall-plug power supply and not PoE please check whether you have connected the positive pole and negative pole to the device correctly.



Please note that the Diagnostic-LEDs are different to the Status Bar LEDs. The LEDs used for the LED Status Bar can illuminate the Status Bar all-over and in almost any color.

The device is ready for operation (booting up process, any software updates, etc.) once it has emitted a short diagnosis sound from the integrated loudspeaker. This may last for up to 5 minutes. Should you not hear a sound, please check the power supply. When using a wall-plug power supply and not PoE please check whether you have connected the positive pole and negative pole to the device correctly.

STEP 11: DOWNLOADING AND INSTALLING THE APP

Download the "DoorBird" App by Bird Home Automation onto your mobile device from the Apple App Store or Google Play Store. You can always find the most up-to-date version of the App manual on www.doorbird.com/support

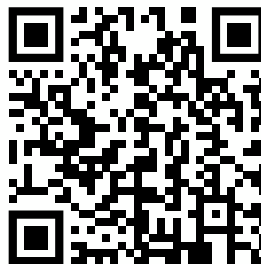
If you use WiFi for connecting the device to your Internet Router, first go to the DoorBird App "⚙️ > WiFi Setup" and follow the instructions.

If you have finished the WiFi setup or have connected the device to your Internet Router by means of a network cable, go to the DoorBird App "⚙️ > Administration" and log in to the Administration area of the DoorBird Video Door Station (using the authentication details of the desired Video Door Station!) you would like to pair the device with (using the authentication details of the desired Video Door Station!). To pair the device there, go to "Peripherals > ⚙️ > Add".

If you have problems adding the device to the App please check if the device is online (www.doorbird.com/checkonline). If the device is not online, please

check the WiFi or network cable connection again. The device is designed to be installed in single-family homes, offices and multi-unit residential dwellings. Ring volume, ring tone etc. can be configured using the touch screen of the device by the end-user. All other configuration options like weather station, user credentials, parental mode (PIN settings) etc. are available for security reasons protected with administrator credentials through the DoorBird App, to avoid that residents misconfigure the device accidentally or intentionally.

END-USER GUIDE



If you are an installer or property manager, you can download an end-user guide which you can pass to the resident here: www.doorbird.com/downloads/end_user_guide_a1101.pdf

DIAGNOSTIC LEDs

You can see if the device is powered by checking the Diagnostic LEDs, which lights up a immediately after the power is connected.

DIAGNOSTIC SOUNDS

After around one minute, the device emits brief diagnostic sounds after it has been connected to power supply / network / internet.



—TROUBLESHOOTING

The device does not power up

If the device is to be supplied with power by a mains adapter, plug the power adapter of the device into a wall socket. If the power adapter was already plugged into a wall socket, check if the cables and wires are correctly connected to the screw connection terminal. In most cases, removing the cable and wires from the screw connection terminal plug and reconnecting them to the screw connection terminal plug helps (loose contact). If you are powering more than one device simultaneously with one mains adapter, check if the mains adapter is able to deliver enough power over the full cable length.

If the device is to be powered via PoE, switch on the PoE-Switch/ PoE-Injector which is connected to the device. If the PoE-Switch/ PoE-Injector was already switched on, check if the cables and wires are correctly connected screw connection terminal. In most cases, removing the cable and wires from the screw connection terminal plug and reconnecting them to the screw connection terminal plug helps (loose contact). If the problem still exists, please check if your PoE-Switch / PoE Injector supports the PoE Standard IEEE 802.3af Mode A, see also www.doorbird.com/poe

If the device is to be supplied with power by a DIN-rail power supply, switch on the DIN-rail power supply. If the DIN-rail power supply was already switched on, check if the cables and wires are correctly connected to the screw connection terminal. In most cases, removing the cable and wires from the screw connection terminal plug and reconnecting them to the screw connection terminal plug helps (loose contact). If you are powering more than one device simultaneously with one DIN-rail power supply, check if the DIN-rail power supply is able to deliver enough power over the full cable length.

The device does not connect to network via WiFi ("No Network" diagnosis sound)

In most cases, your WiFi signal is weak. Please perform the WiFi Setup again using the DoorBird App.

You can increase the WiFi signal by using so called "WiFi repeaters", which can boost your WiFi signal. You should install such a WiFi repeater close to the assembly location of the device, typically inside your home and close to the device.

If the problem still exists, please check if your WiFi Router / WiFi Access Point does not block device, e.g. through a MAC address filter.

If the problem still exists, please check if your WiFi Router / WiFi Access Point has DHCP turned on and is able to assign an IP address to the device.

The device does not connect to network via network cable ("No Network" diagnosis sound)

In most cases, removing the cable and wires from the screw connection terminal plug and reconnecting them to the screw connection terminal plug helps (loose contact). If the problem still exists, please check if the network cable is properly connected to your router / switch and the network cable is not broken.

If the problem still exists, please check if your Router has DHCP turned on and is able to assign an IP address to the device.

The device does not connect to Internet ("No Internet" diagnosis sound)

In most cases, your Internet is down or your router blocks Internet access for the device. Please see www.doorbird.com/downloads/ports.pdf

TECHNICAL SPECIFICATIONS

GENERAL

Mounting type	Surface-mounted, table stand "A8003" sold separately
Power supply	15 - 48 V DC (max. 15 W) or Power over Ethernet (PoE 802.3af Mode-A)
Weight	336 g
Connectors	<ul style="list-style-type: none"> • LAN/PoE (T+, T-, R+, R-) • Digital input (0 V, 0 A (NO)) #1, e.g. for a storey-call button • Digital input (0 V, 0 A (NO)) #2, e.g. for a second storey-call button • Bi-stable latching relay #1, max. 24 V DC/AC, 1 Ampere, e.g. for electric door opener or elevator • Bi-stable latching relay # 2, max. 24 V DC/AC, 1 Ampere, e.g. for electric door opener or elevator • Bi-stable latching relay # 3, max. 24 V DC/AC, 1 Ampere, e.g. for electric door opener or elevator • 15 - 48 V DC input (+, -), max. 15 W
Power consumptions	5 W
Approvals	CE, FCC, IC, RoHS, IP50
Dimensions	179.5 x 115 x 25 mm (H x W x D) 7.07 x 4.53 x 0.98 in (H x W x D)
Operating conditions	0 to +55°C / 32 to 131°F Humidity 0 % to 85 % (non condensing)
Scope of delivery	<ul style="list-style-type: none"> 1 x IP Video Indoor Station 1 x Mounting bracket 1 x Power supply unit (main adaptor) with four country-specific adaptors (110 - 240 V AC to 15 V DC) 1x Quickstart guide with Digital Passport 1 x Installation manual 1 x Small parts
EAN	4260423860902
Warranty	see www.doorbird.com/warranty

CURRENT SYSTEM REQUIREMENTS

	Mobile device: Newest iOS on iPhone/iPad, newest Android on Smartphone/Tablet
System requirements	Internet: High-Speed Landline Broad-band Internet connection, DSL, cable or fiber optic, no socks or proxy server
	Network: Ethernet Network, with DHCP
Supported door stations	Any DoorBird IP Video Door Station

DISPLAY

Dimension 4" True Color LCD

Touch Yes, capacitive

AUDIO

Audio components Speaker and microphone, echo and noise cancellation (AEC, ANR)

Audio streaming Two-way

NETWORK

Ethernet PoE 802.3af Mode-A

WiFi 802.11 b/g/n 2.4 GHz

INTEGRATED WIRELESS MODULES

WiFi 802.11 b/g/n 2.4 GHz

OPTIONAL ACCESSORIES

Sold separately see www.doorbird.com/buy

LEGAL NOTES

General remarks

1. DoorBird is a registered trademark of Bird Home Automation GmbH.
2. Apple, the Apple logo, Mac, Mac OS, Macintosh, iPad, Multi-Touch, iOS, iPhone and iPod touch are trademarks of Apple Inc.
3. Google, Android and Google Play are trademarks of Google, Inc.
4. The Bluetooth® word mark and logos are registered trademarks of Bluetooth SIG, Inc.
5. All other company and product names may be trademarks of the respective companies with which they are associated.
6. We reserve the right to make changes to our products in the interests of technical advancement. The products shown may also look different from the products supplied based on ongoing enhancement.
7. Reproducing or using texts, illustrations and photos from this instruction manual in any media – even if only in the form of excerpts – shall only be permitted with our express written consent.
8. The design of this manual is subject to copyright protection. We do not accept any liability for any errors or any erroneous content or printing errors (even in the case of technical specifications or within graphics and technical sketches).
9. Our products are in compliance with all technical guidelines, electrical and telecommunications regulations applicable in Germany, the EU and the USA.

Data privacy and data security

1. For maximum security, the device uses the same encryption technologies as are used in online banking. For your security, no port forwarding or DynDNS is used either.
2. The data centre location for remote access over the Internet by means of an App is obligatory in the EU if the determined Internet IP-Address location of the device is within the EU. The data centre is operated in line with the most stringent security standards.
3. Video, audio and any other surveillance methods can be regulated by laws that vary from country to country. Check the laws in your local region before installing and using this device for surveillance purposes.

If the device is a door-, indoor station or camera:

- In many countries video and voice signal may only be transmitted once a visitor has rung the bell (data privacy, configurable in the App).
- Please carry out the mounting in such a way that the detection range of the camera limits the device exclusively to the immediate entrance area.
- The device may come with a visitor history and motion sensor. You can activate/deactivate this function if required.

If necessary, indicate the presence of the device in a suitable place and in a suitable form.

Please observe any relevant country-specific statutory regulations concerning the use of surveillance components and surveillance cameras applicable at the installation site.

Check with the property owner and your house community if you are allowed to install and use this product. Bird Home Automation GmbH cannot be held responsible for any miss-use or miss-configuration of this product, including the unauthorized opening of a door.

Bird Home Automation cannot be held responsible for damages caused by improper existing installations or improper installation.

Software and operating system's updates (so-called "firmware updates") are generally automatically installed on the products of Bird Home Automation GmbH via Internet, if technically possible. Automatic firmware updates keep the products' software up to date so that they always work reliably, safely and efficiently. Through further development, features can be added, extended or slightly changed. Major changes or limitations to existing features will generally occur if Bird Home Automation GmbH deems it necessary (e.g. for data protection, data security or stability reasons, or to keep them up to date). When a firmware update is available, Bird Home Automation GmbH's servers generally automatically distribute it to all compatible products connected to the Internet or Bird Home Automation GmbH's servers. This process is gradual and can take several weeks. As soon as a product receives a firmware update, the system will be installed and will restart by itself. Installed firmware updates cannot be undone. Since the products and software of Bird Home Automation GmbH are not explicitly customer-specific products, a customer cannot deny an automatic update if the product is connected to the Internet or to the Bird Home Automation GmbH's server.

Instructions for disposal

Do not dispose of the device with regular domestic waste. Electronic equipment must be disposed e.g. at local collection points for waste electronic equipment in compliance with the Waste Electrical and Electronic Equipment Directive.

Publisher

Bird Home Automation GmbH
Joachimsthaler Str. 12
10719 Berlin
Germany

Web: www.doorbird.com
Email: hello@doorbird.com

INSTALLATIONSANLEITUNG

Lesen Sie diese Anleitung sorgfältig, bevor Sie die Komponenten in Betrieb nehmen. Bewahren Sie die Anleitung zum späteren Nachschlagen auf!

Wenn Sie das Gerät anderen Personen zur Nutzung überlassen, übergeben Sie auch diese Bedienungsanleitung.

Die stets aktuelle Version der Installationsanleitung finden Sie unter www.doorbird.com/de/support

Zur Vereinfachung der Begriffe verwenden wir „Gerät“ für das Produkt „DoorBird IP Video Innenstation A1101“ sowie „mobiles Endgerät“ für ein Smartphone/Tablet.

Haftung

Die Erstellung dieses Dokuments wurde sorgfältig vorbereitet. Bitte informieren Sie Bird Home Automation GmbH über etwaige Ungenauigkeiten oder Unterlassungen. Bird Home Automation GmbH kann nicht für technische oder typografische Fehler verantwortlich gemacht werden und behält sich das Recht vor, Änderungen an dem Produkt und den Handbüchern ohne vorherige Ankündigung vorzunehmen. Bird Home Automation GmbH übernimmt keinerlei Garantie in Bezug auf das in diesem Dokument enthaltene Material, einschließlich, aber nicht beschränkt auf die implizierten Garantien der Marktgängigkeit und Eignung für einen bestimmten Zweck. Bird Home Automation GmbH haftet nicht für Neben- oder Folgeschäden im Zusammenhang mit der Bereitstellung, Durchführung oder Verwendung dieses Materials. Das Gerät darf nur für den vorgesehenen Zweck verwendet werden.

Gerätemodifikationen

Dieses Gerät muss in Übereinstimmung mit den Anweisungen in der Installationsanleitung installiert und verwendet werden. Dieses Gerät enthält keine vom Benutzer zu wartenden Komponenten. Durch unbefugte Gerätemodifikationen oder Änderungen erlöschen alle anwendbaren Zertifizierungen und Zulassungen.

Verwendete Symbole



Achtung: Weist auf eine gefährliche Situation hin, die, falls nicht verhindert, zum Tod oder schweren Verletzungen führt.



Warnung: Weist auf eine gefährliche Situation hin, welche, falls nicht verhindert, zum Tod oder schweren Verletzungen führen kann.



Vorsicht: Weist auf eine gefährliche Situation hin, welche, falls nicht verhindert, zu geringfügiger oder mäßiger Verletzung führen kann.



Bitte beachten: Weist auf eine gefährliche Situation hin, welche, falls nicht verhindert, zu Sachschäden führen kann.



Wichtig: Weist auf wichtige Informationen hin, die den richtigen Betrieb des Produkts gewährleisten.



Hinweis: Weist auf nützliche Informationen hin, die die optimale Verwendung des Geräts unterstützen.

Gefahrenhinweise



WARNUNG

- Einbau, Montage und Servicearbeiten elektrischer Geräte dürfen ausschließlich durch eine Elektrofachkraft erfolgen. Bei Nichtbeachten besteht die Gefahr schwerer gesundheitlicher Schäden oder Lebensgefahr durch elektrische Stromschläge.
- Geräte mit 110-240 V Anschluss: Das Gerät darf nur an eine leicht zugängliche Netz-Steckdose angeschlossen werden. Bei Gefahr ist der Netzstecker zu ziehen.
- Benutzen Sie für die Stromversorgung des Gerätes ausschließlich das mitgelieferte Originalnetzteil oder einen in dieser Anleitung empfohlenen PoE-Switch/PoE-Injektor (sofern das Gerät PoE unterstützt).
- Durch elektrostatische Aufladung kann bei direktem Kontakt mit der Leiterplatte das Gerät zerstört werden. Vermeiden Sie daher ein direktes Berühren der Leiterplatte zu jeder Zeit.
- Norm EN 60065 bzw. EN 60950 bzw. EN 62368 beachten.
- Verwenden Sie das Gerät nicht, wenn es von außen erkennbare Schäden z. B. am Gehäuse, an Bedienelementen oder an den Anschlussbuchsen bzw. eine Funktionsstörung aufweist. Im Zweifelsfall lassen Sie das Gerät von einer autorisierten Fachkraft prüfen.
- Öffnen Sie das Gerät nicht. In solchen Fällen erlischt jeder Gewährleistungsanspruch! Für Folgeschäden übernehmen wir keine Haftung! Das Gerät enthält keine durch den Anwender zu wartenden Teile. Im Fehlerfall lassen Sie das Gerät von einer autorisierten Fachkraft prüfen.
- Aus Sicherheits-, Zulassungs- und Lizenzgründen (CE/FCC/IC etc.) ist das eigenmächtige Umbauen und/oder Verändern des Gerätes nicht gestattet.



WARNUNG

- Das Gerät ist kein Spielzeug! Erlauben Sie Kindern nicht damit zu spielen. Lassen Sie das Verpackungsmaterial nicht achtlos liegen. Plastikfolien/-tüten, Styroporsteile etc. können für Kinder zu einem gefährlichen Spielzeug werden.
- Verlegen Sie Kabel stets so, dass diese keine Gefährdungen für Menschen und Haustiere darstellen.
- An Teilen im Gerät liegt Spannung an. Berühren Sie keine Teile, die nicht mit der Installation, der Verdrahtung oder dem Anschluss verbunden sind. Elektrische Stromschläge können die Folge sein.
- Halten Sie die Geräte von Wasser oder anderen Flüssigkeiten fern, die nicht als wetterfest gekennzeichnet sind.
- Führen Sie keine Installation durch und stellen Sie keine Verbindungen her, während die Stromversorgung eingeschaltet ist. Beschädigungen am Gerät oder elektrische Stromschläge können die Folge sein.
- Bevor Sie die Stromversorgung einschalten, stellen Sie sicher, dass die Drähte nicht gekreuzt oder kurzgeschlossen sind. Feuer oder elektrische Stromschläge können die Folge sein.
- Hochspannung kann intern vorhanden sein. Öffnen Sie das Gerät nicht. Elektrische Stromschläge können die Folge sein.
- Das Gerät ist nicht explosionsgeschützt. Nicht in der Nähe von Gasen oder brennbaren Materialien installieren oder verwenden. Feuer oder Explosion können entstehen.
- Installieren Sie nicht zwei Stromversorgungen parallel zu einem einzigen Eingang. Feuer oder Beschädigung des Gerätes können entstehen. Achten Sie darauf, nur ein einziges Netzteil an das Gerät anzuschließen.
- Schließen Sie keinen Anschluss am Gerät an eine Netzstromleitung an. Feuer oder elektrische Stromschläge können die Folge sein.
- Stellen Sie sicher, dass das Netzkabel nicht beschädigt oder gequetscht ist. Wenn das Netzkabel gebrochen ist, kann es zu einem Brand oder elektrischen Stromschlag kommen.
- Nichts mit nassen Händen anstecken oder abziehen. Elektrische Stromschläge können die Folge sein.

- Führen Sie kein Metall oder brennbares Material in das Gerät. Feuer, elektrische Stromschläge oder Gerätestörungen können die Folge sein.
- Bestehende Verdrahtungen wie Türgongverdrahtung usw. können Hochspannungs-Wechselstrom enthalten. Schäden am Gerät oder elektrische Stromschläge können auftreten. Die Verdrahtung und Installation muss von einem qualifizierten Elektriker durchgeführt werden.
- Gerätemontage an Wand oder Decke: Vermeiden Sie Installationsorte, an denen das Gerät Erschütterungen oder Stößen ausgesetzt ist.
- Bei Geräten mit Erdungsklemmen muss eine Erdung angeschlossen werden. Feuer oder Gerätestörungen können die Folge sein.
- Bei Geräten mit Kunststoffglas oder Echtglas, keinen hohen Druck auf das Glas ausüben. Bei Bruch kann es zu Verletzungen kommen.
- Bei Geräten mit LCD, wenn LCD beschädigt ist, nicht mit dem Flüssigkristall in Kontakt kommen. Verletzungen können die Folge sein. Wenn nötig, spülen Sie den Mund aus, reinigen Sie Ihre Augen oder Haut mit klarem Wasser für mindestens 15 Minuten und wenden Sie sich an Ihren Arzt.
- Bringen Sie nichts auf dem Gerät an und verdecken Sie das Gerät nicht mit einem Tuch, Silikon, Klebstoff, Farbe, separater Abdeckung etc. Es können Feuer- oder Gerätestörungen auftreten.
- Installieren Sie das Gerät nicht an einer der folgenden Orte. Feuer, Stromschlag oder Gerätestörungen können die Folge sein.
 - Orte unter direktem Sonnenlicht oder Orte in der Nähe von Heizgeräten, die in der Temperatur variieren.
 - Orte mit Staub, Öl, Chemikalien, Schwefelwasserstoff (heiße Quellen).
 - Orte, die extremer Feuchtigkeit und Luftfeuchtigkeit ausgesetzt sind, wie Bäder, Keller, Gewächshäuser, etc.
 - Orte, an denen die Temperatur extrem niedrig ist, wie z. B. in einem gekühlten Bereich oder vor einer Klimaanlage.
 - Orte, die Dampf oder Rauch ausgesetzt sind (z.B. in der Nähe von Heiz- oder Kochflächen).
 - Orte, an denen Geräusch erzeugende Geräte wie Dimmschalter oder Wechselrichter-Elektrogeräte in unmittelbarer Nähe sind.



WARNUNG

- Orte, die häufigen Vibrationen oder Stößen ausgesetzt sind.
- Bei Geräten mit Gegensprechfunktion ist darauf zu achten, dass ein Anruftest durchgeführt wird, bei dem beide Gegensprechgeräte auf geringer Lautstärke eingestellt sind. Ein plötzlicher Anruf etc. kann ankommen und das Gehör schädigen.
- Wenn das Gerät nicht ordnungsgemäß funktioniert, ziehen Sie den Netzstecker aus der Steckdose.
- Alle Geräte, die nicht als wetterfest gekennzeichnet sind, sind nur für den Innenbereich konzipiert und nicht im Freien zu benutzen.
- Geräte, die als wetterfest gekennzeichnet sind, nicht mit Hochdruckwasser besprühen. Gerätestörungen können die Folge sein.
- Bei Sach- oder Personenschäden, die durch unsachgemäße Handhabung oder Nichtbeachten der Gefahrenhinweise verursacht werden, übernehmen wir keine Haftung. In solchen Fällen erlischt jeder Gewährleistungsanspruch! Für Folgeschäden übernehmen wir keine Haftung.

Sicherheitsanweisungen



- Die Verwendung des Geräts muss unter Beachtung der örtlich geltenden rechtlichen Bestimmungen erfolgen.
- Lagern Sie das Gerät in einer trockenen und belüfteten Umgebung.
- Achten Sie darauf, dass das Gerät weder Stößen noch starkem Druck ausgesetzt ist.
- Installieren Sie das Gerät nicht an instabilen Halterungen, Oberflächen oder Wänden. Stellen Sie sicher, dass das Material stabil genug ist, um das Gewicht des Geräts zu tragen.
- Verwenden Sie bei der Installation des Geräts ausschließlich passende Werkzeuge. Ein zu großer Kraftaufwand mit Werkzeugen kann das Gerät beschädigen.
- Verwenden Sie keine chemischen, ätzenden oder aerosolhaltigen Reinigungsmittel.
- Verwenden Sie zum Reinigen ein sauberes, trockenes Tuch.

- Verwenden Sie nur Zubehör, das den technischen Daten des Geräts entspricht. Dieses ist von Bird Home Automation GmbH erhältlich.
- Verwenden Sie ausschließlich Ersatzteile die von Bird Home Automation GmbH bereitgestellt oder empfohlen werden.
- Versuchen Sie nicht, das Gerät selbstständig zu reparieren. Wenden Sie sich bezüglich Reparatur und Wartung an Bird Home Automation GmbH.
- Halten Sie das Gerät mehr als 1 m (3,3') entfernt von Mikrowelle, Radio, TV, WLAN Router und anderen drahtlosen Geräten.
- Bei Geräten mit Gegensprechfunktion oder eingebautem Lautsprecher oder eingebautem Mikrofon oder Signalübertragungsfunktion, installieren Sie die Drähte mehr als 30 cm (12") entfernt von 100-240 V Wechselstromverdrahtung. Ansonsten können Wechselstrominduzierte Geräusche und/oder Geräte-Störungen auftreten.
- Installieren Sie das Gerät in einem Bereich, der für zukünftige Inspektionen, Reparaturen und Wartungen zugänglich ist.
- Wenn das Gerät in der Nähe eines Mobiltelefons verwendet wird, kann das Gerät gestört werden.
- Das Gerät kann beschädigt werden, wenn es fallen gelassen wird. Mit Vorsicht behandeln.
- Das Gerät wird während eines Stromausfalls außer Betrieb gesetzt.
- Bei Geräten mit Gegensprechfunktion oder eingebautem Lautsprecher oder eingebautem Mikrofon kann das Gerät in Bereichen, in denen Antennen von Mobilfunksendern, Radio- oder TV-Sendern in der Nähe sind, beeinträchtigt werden.
- Bei Geräten mit LCD-Bildschirm muss im Voraus darauf hingewiesen werden, dass bei einem LCD-Panel, obwohl es mit sehr hohen Präzisionstechniken hergestellt wird, unvermeidlich ein sehr kleiner Teil seiner Bildelemente nicht immer beleuchtet oder gar nicht beleuchtet wird. Dies gilt nicht als Gerätefehler.
- Bei Geräten mit Gegensprechfunktion können Umgebungsgeräusche um das Gerät herum eine reibungslose Kommunikation behindern. Dies ist keine Fehlfunktion.

NOTICE

- Bei Geräten mit Benutzername/Passwort ist der Anwender für den Zugriff mittels Benutzername/Passwort auf das Gerät verantwortlich. Vergewissern Sie sich ein Passwort zu verwenden, das von einem Dritten nicht leicht erraten werden kann. Wir empfehlen Ihnen, das Passwort regelmäßig zu ändern.
- Wir haften unter keinen Umständen für Schäden, die aufgrund von Fehlern in der Stromversorgung, Netzwerkgeräten oder Endgeräten auftreten; Ausfälle aufgrund von Internetanbietern und Mobilfunkanbietern; Ausfälle aufgrund von getrennten oder gestörten Leitungen und andere Übertragungs

verluste, die es unmöglich machen, unseren Dienst zu erbringen, sowie allen anderen Ursachen die außerhalb unserer Verantwortung liegen; Oder, wenn während der Übertragung ein Fehler oder fehlende Daten auftreten.

Transport

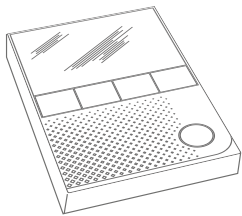
NOTICE

Bei Bedarf transportieren Sie das Gerät in der Originalverpackung oder einer entsprechenden Verpackung, so dass Schäden vermieden werden.

Gewährleistung

Informationen zur Gewährleistung des Geräts finden Sie unter www.doorbird.com/de/warranty

KOMPONENTEN



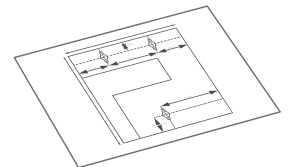
1x Gerät



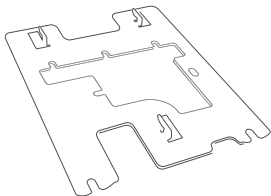
1x Installationsanleitung



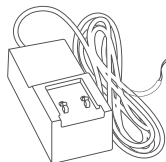
1x Quickstartanleitung mit Digital Passport



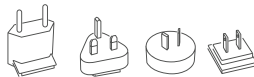
1x Bohrschablone



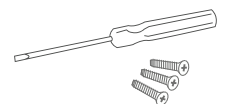
1x Montagehalterung



1x Steckernetzteil mit vier Landesadaptern



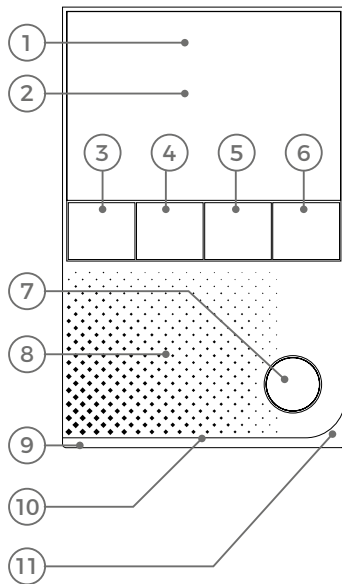
3x Grüner Schraubanschlussklemmenstecker



Kleinteile

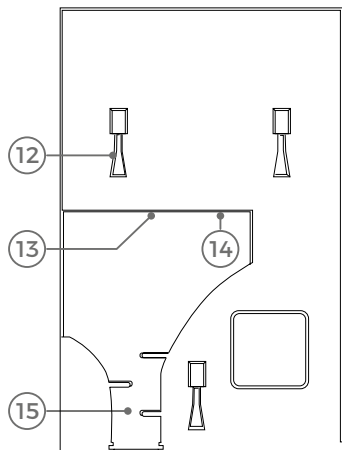
GERÄT

Vorderseite



- 1) Gorilla® Glas
- 2) Touch-Display
- 3) Taste "Tür öffnen"
- 4) Taste "Favorit"
- 5) Taste "Lautlos schalten"
- 6) Taste "Menü"
- 7) Taste "Sprechen und Hören aktivieren"
- 8) Lautsprecher
Großer Breitbandlautsprecher
- 9) LED Statusleiste
Zur Visualisierung von Klingelereignissen etc.
- 10) Diagnose-LEDs
Um den aktuellen Status des Geräts anzuzeigen
- 11) Mikrofon

Rückseite



- 12) Montagepunkte
Um das Gerät an der Montagehalterung zu montieren
- 13) Schraubanschlussklemmen
- 14) Setup Taste (SET)
Setup Taste (SET) des Geräts, um z.B. die WLAN Schnittstelle des Geräts mit Hilfe der DoorBird App zu konfigurieren
- 15) Kabelklemme

VIDEOS

Sie können die Installation durch unsere Installationsvideos auf www.doorbird.com/de/support begleiten lassen. In den Videos wird jeder Installationsschritt einzeln und gut dokumentiert dargestellt.

INSTALLATION

Alle folgenden Schritte sollten von einem fachkundigen Erwachsenen sorgsam und unter Berücksichtigung sämtlicher geltender Schutzvorschriften durchgeführt werden. Sollten Sie Fragen haben, wenden Sie sich bitte direkt an uns oder einen kompetenten Fachmann.



Achten Sie darauf, dass alle Drähte, die Sie für die Installation verwenden, über die gesamte Länge unbeschädigt und für die Verwendungsart zugelassen sind.

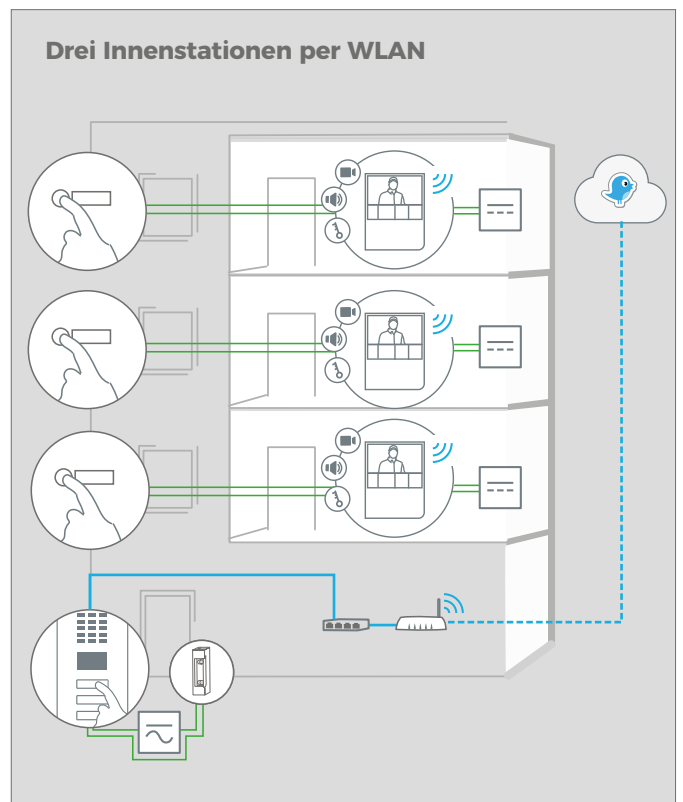
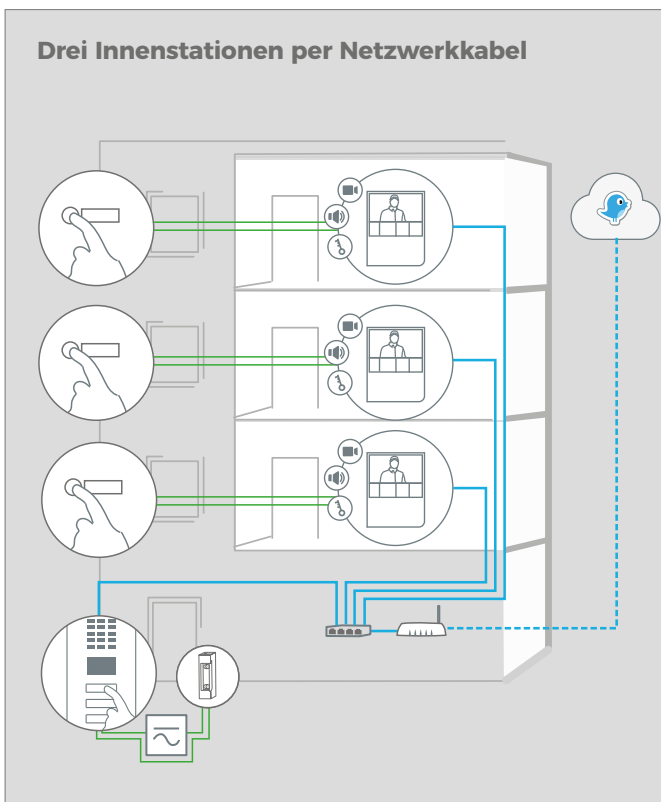
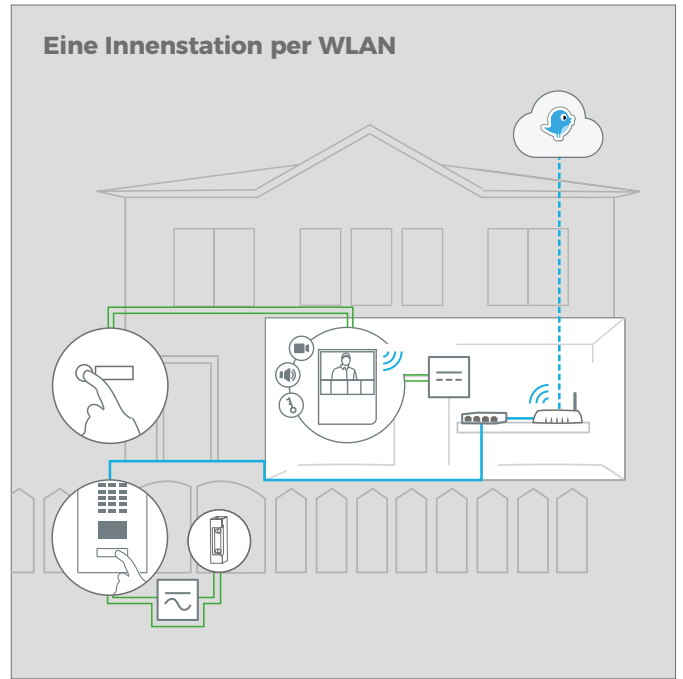
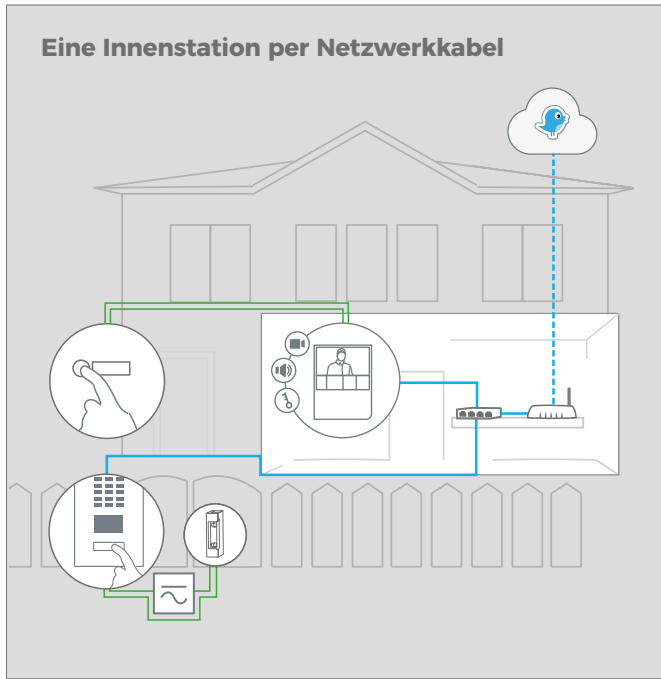
Netzwerkgeschwindigkeit und Netzwerkkomponenten

Stellen Sie sicher, dass Ihre Internetverbindung über mindestens 0,5 Mbit/s Uploadgeschwindigkeit verfügt. Das Nutzererlebnis ist nur so gut wie die Netzwerkgeschwindigkeit, Netzwerkstabilität und Qualität Ihrer Netzwerkkomponenten, wie z.B. Ihr Internetrouter und WLAN Access Points oder WLAN Repeater. Stellen Sie sicher, dass Ihre Netzwerk-komponenten nicht älter als zwei Jahre sind, von einem namhaften Hersteller gefertigt wurden und über die neuste Firmware verfügen. Sind diese Voraussetzungen nicht erfüllt, kann es z.B. dazu kommen, dass Audio- und Videoverbindungen schlecht sind oder Push-Mitteilungen verzögert oder gar nicht auf Ihrem Smartphone oder Tablet ankommen.

Anforderungen:

High Speed Internet (Festnetz): DSL, Kabel oder Glasfaser
Netzwerk: Ethernet Netzwerk, mit DHCP

INSTALLATIONSBEISPIELE



Etagenruftaste



Innenstation



DoorBird IP Video Türstation



Elektrischer Tür- oder Toröffner. Kann über DoorBird I/O Door Controller gesichert werden (abgesetztes Sicherheitsrelais)



Power over Ethernet (PoE) Switch



Router mit High-speed Internet, DHCP



Separate Stromversorgung, 15 V DC, 1 A



Separate Stromversorgung, 12 V DC, 1 A

— Netzwerkkabel

— Zweiadriger Klingeldraht

SCHRITT 1: STROM ABSCHALTEN



Schalten Sie den Strom sämtlicher zum Montageort führenden Leitungen ab, d.h. z.B. den Strom für den Türgong, elektrischen Türöffner, PoE-Switch/PoE-Injektor etc..

SCHRITT 2: DEMONTAGE DER BESTEHENDEN INNENSTATION

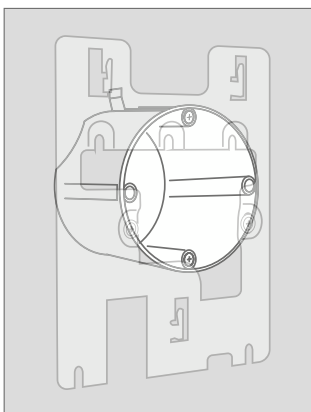
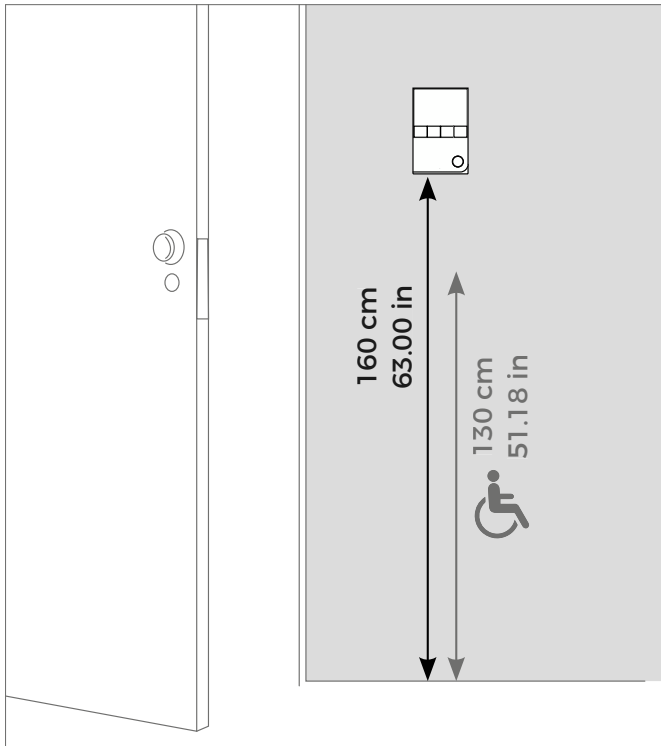
Demontieren Sie, falls bereits vorhanden, die bestehende Innenstation.

SCHRITT 3: MONTAGEORT FESTLEGEN



Das Gerät ist nur für den Inneneinsatz konstruiert.

Empfohlene Installationshöhe: 160 cm / 63 in
Empfohlene Installationshöhe für Menschen mit Beeinträchtigungen / Behinderungen: 130 cm / 51 in



Die Montagehalterung kann in Verbindung mit einer handelsüblichen 68 mm Hohlwanddose verwendet werden, sodass Sie keine separaten Löcher in die Wand bohren müssen: Sie können die vorhandenen Schraubenlöcher der Hohlwanddose verwenden und Schritt 4 überspringen.

Wenn sich am Montageort keine Hohlwanddose befindet: Drücken Sie die Bohrschablone des Geräts am gewünschten Installationsort gegen die Wand oder die Decke und markieren Sie mit einem Stift die Bohrlöcher. Entfernen Sie die Bohrschablone wieder. Stellen Sie sicher, dass sich hinter den Bohrlöchern keine Leitungen in der Hauswand befinden.



Alternativ zur Montage an einer Wand können Sie das Gerät auch auf einem Tischständer montieren (DoorBird A8003 Tischständer für IP Video Innenstation A1101).

SCHRITT 4: DÜBEL

Wenn es sich bei dem Material der Hauswand nicht um Holz handelt, bohren Sie die Dübellöcher gemäß Bohrschablone mit einem Bohrer mit 5 mm Durchmesser in die Hauswand und stecken Sie dann die mitgelieferten Dübel in die Bohrlöcher.



Wenn Sie Löcher in die Wand bohren, Schrauben in die Wand drehen oder die Wand aufstemmen müssen: Stellen Sie sicher, dass sich keine Leitungen (z.B. Strom-, Gas- oder Wasserführende Leitungen) in der Hauswand befinden.

Wenn es sich bei der Hauswand um Holz handelt, benötigen Sie im Normalfall keine Dübel. Für die Montage des Geräts an einer Wärmeschutzwand gibt es spezielle Dübel, z.B. Fischer Dämmstoffdübel.

Bitte klären Sie mit Ihrem Dämmstoffhersteller, welche Dübel von diesem empfohlen werden.

SCHRITT 5: OPTIONEN ZUR NETZWERKVERBINDUNG

Sie können das Gerät entweder über ein Netzwerkkabel oder über eine WLAN 2,4 GHz-Verbindung mit dem Netzwerk verbinden.

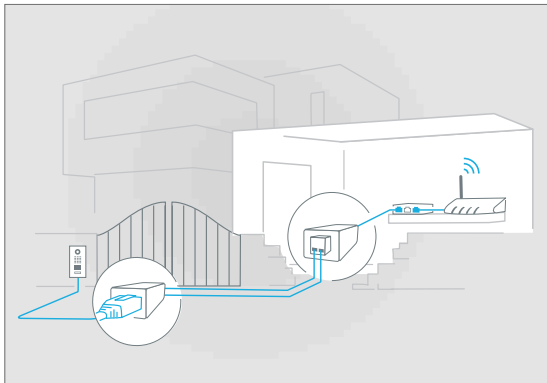


**OPTION 1:
NETZWERKKABEL
(EMPFOHLEN, WARTUNGSFREI)**

Installieren Sie ein Netzwerkkabel (das an einen Netzwerk-Switch/Router mit Internetzugang angeschlossen ist) von der Innenseite Ihres Gebäudes zum Montageort. Das Netzwerkkabel zwischen dem Montageort und dem Netzwerk-Switch/Router kann eine maximale Länge von 80 m (IEEE 802.3) aufweisen. Wenn Sie eine Entfernung von mehr als 80 m überwinden müssen, können Sie einen Netzwerk-Switch dazwischen platzieren.



Wenn Sie nur zwei Drähte am Montageort zur Verfügung haben, können Sie den „DoorBird 2-Draht Ethernet PoE Konverter A1071“ verwenden, der separat erhältlich ist. Er ermöglicht es Ihnen, Netzwerkdaten (Ethernet) und Strom (PoE) über eine einfache Zweidrahtleitung über weite Strecken hinweg zu übertragen. So können Sie Bestandsgebäude, die z.B. nur über einen einfachen zweiadrigen Klingeldraht verfügen, mit Netzwerktechnologie ausstatten, ohne hierfür nachträglich ein Netzkabel verlegen zu müssen.



OPTION 2: WLAN 2.4 GHZ

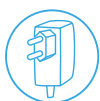


Aus Stabilitätsgründen empfehlen wir grundsätzlich ein Netzkabel zu nutzen, da WLAN stömpfindlich ist (Reichweite, abschirmende Hauswände, Zuverlässigkeit, fremde WLAN Netze, störende Funksender in der Nähe und vieles mehr).

Wenn Sie WLAN verwenden, stellen Sie bitte sicher, dass Sie ein gutes WLAN Signal am Montageort des Geräts haben. Sie können das WLAN Signal verbessern, indem Sie sogenannte „WLAN Repeater“ verwenden, die Ihr WLAN Signal verstärken können. Sie sollten einen solchen WLAN Repeater in der Nähe des Montageortes des Geräts installieren, normalerweise in Ihrem Haus in der Nähe des Geräts.

SCHRITT 6: STROMVERSORGUNG VORBEREITEN

Das Gerät verfügt nicht über einen Akku als Stromversorgung, wählen Sie daher eine der folgenden Optionen.



OPTION 1: STROMVERSORGUNG PER STECKERNETZTEIL

Zur Stromversorgung des Geräts per Steckernetzteil werden zwei isolierte Drähte benötigt. Das mitgelieferte Steckernetzteil verfügt über ein 300 cm langes Kabel mit zwei isolierten Drähten. Die Netzerkennung erfolgt per Netzkabel oder WLAN.



Das mitgelieferte Steckernetzteil ist in der Lage, nur genau ein Gerät mit Strom zu versorgen. Es ist nicht dafür ausgelegt, mehrere Geräte gleichzeitig zu betreiben.

Wenn Sie mehr als ein Gerät mit einem einzigen Netzteil versorgen müssen, empfehlen wir Ihnen, einen PoE-Switch mit PoE-Standard IEEE 802.3af Mode A oder ein entsprechendes Hutschienennetzteil (siehe „OPTION 3“) zu verwenden.



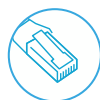
Stecken Sie das Steckernetzteil noch nicht in die Wandsteckdose.

Verwenden Sie ausschließlich das mitgelieferte Steckernetzteil oder das von uns separat erhältliche Hutschienennetzteil, da diese speziell stabilisiert und mit einer integrierten Audio-Störungsunterdrückung ausgestattet sind. Andere Netzteile können das Gerät zerstören oder eine schlechte Übertragungsqualität verursachen. Durch die Verwendung eines anderen Netzteils erlischt automatisch die Gewährleistung.

Das Steckernetzteil (Schritt 10) wird in eine Steckdose im Haus gesteckt, in der Regel dort, wo die beiden Kabel von Ihrem Montageort im Inneren des Hauses aus der Wand kommen.



Das mitgelieferte Steckernetzteil ist nicht für den Einsatz im Außenbereich konzipiert, sondern nur für die Verwendung im Innenbereich.



OPTION 2: STROMVERSORGUNG UND NETZWERKANSCHLUSS PER POE (POWER OVER ETHERNET)

Zur Stromversorgung des Geräts per PoE-Switch (z.B. D-Link DGS-1008P) oder PoE-Injektor (z.B. DoorBird Gigabit PoE Injektor A1091) verwenden Sie ein Cat.5 Netzkabel oder besser gemäß PoE Standard IEEE 802.3af Mode A.

Es muss zwingend ein Cat.5 (oder besser) Netzkabel zum Einsatz kommen, da Netzwerksignale nur über vollständig isolierte, abgeschirmte und verdrehte Kabel übertragen werden können. Wenn Sie PoE als Stromversorgung nutzen, sind vier Drähte für PoE dann gleichzeitig die Datenleitung. Sollte Ihr PoE-Switch oder PoE-Injektor keinen PoE Standard IEEE 802.3af Mode A unterstützen, wird das Gerät nicht starten.

Bitte überprüfen Sie www.doorbird.com/de/poe auf bekannte Inkompatibilitäten.



Wenn Sie mehr als ein Gerät mit einem einzigen Netzteil versorgen müssen, empfehlen wir Ihnen, einen PoE-Switch mit PoE-Standard IEEE 802.3af Mode A oder ein entsprechendes Hutschienennetzteil (siehe „OPTION 3“) zu verwenden.



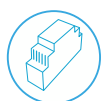
Es kann theoretisch (wird nicht von uns empfohlen!) für die Netzwerk- und PoE-Übertragung auch alternativ zu einem Cat.5 Netzkabel oder besser ein nicht abgeschirmtes aber über die gesamte Länge (max. 80 m) paarweise verdrehter Klingeldraht mit zwei Aderpaaren verwendet werden (Erstes verdrehtes Aderpaar: „T+, T-“, zweites verdrehtes Aderpaar „R+, R-“). Dies ist vergleichbar mit einem Cat.3 Netzkabel. Der Datendurchsatz sowie die Stabilität der Netzwerkverbindung und Stromversorgung können wir in diesem Fall aber nicht gewährleisten, dies muss vor Ort durch entsprechendes Fachpersonal über mehrere Stunden gemessen und überprüft werden (Netzwerkdaten werden hochfrequent übertragen, daher muss im Normalfall ein geschirmtes und aderpaarweise verdrehtes Cat.5 Netzkabel oder besser verwendet werden).



Kombinieren Sie die Stromversorgung per Steckernetzteil nicht mit der Stromversorgung per PoE.

Weitere Informationen über PoE finden Sie unter: <http://www.doorbird.com/de/poe>

1. Trennen Sie den vorgesehenen PoE-Switch oder PoE-Injektor vom Stromnetz.
2. Führen Sie das Netzkabel zum Montageort des Geräts.



OPTION 3: STROMVERSORGUNG PER HUTSCHIENENNETZTEIL

Alternativ zum Steckernetzteil bieten wir in unserem Shop Hutschienennetzeile an, welche durch einen Fachmann installiert werden können. Die Netzwerkanschlüsse erfolgen per Netzkabel oder WLAN.



Wenn Sie mehr als ein Gerät mit einem einzigen Netzteil versorgen müssen, empfehlen wir Ihnen, einen PoE-Switch mit PoE-Standard IEEE 802.3af Mode A oder ein entsprechendes Hutschienennetzteil zu verwenden.

Planungsinformationen zur Stromversorgung mehrerer Geräte mit einem einzigen DIN Hutschienennetzteil

Wenn Sie mehr als ein Gerät in Ihrem Gebäude mit einem einzigen Hutschienennetzteil mit Strom ver-

sorgen wollen, müssen Sie die Verkabelung für die Hutschienenstromversorgung der Geräte sorgfältig planen.

Das Gerät hat eine Leistungsaufnahme von 5 Watt und einen Spannungsbereich von 15 bis 48 V DC.

Jedes Kabel / jede Leitung hat aus physikalischen Gründen eine spezifische Belastungsgrenze, Schleifenwiderstand und Leistungsverlust. Davon hängt die Planung der Verkabelung, die maximale Anzahl der Geräte und die Stromversorgung ab. Die folgenden Informationen helfen Ihnen bei der Planung der Installation der Stromversorgung im Gebäude.



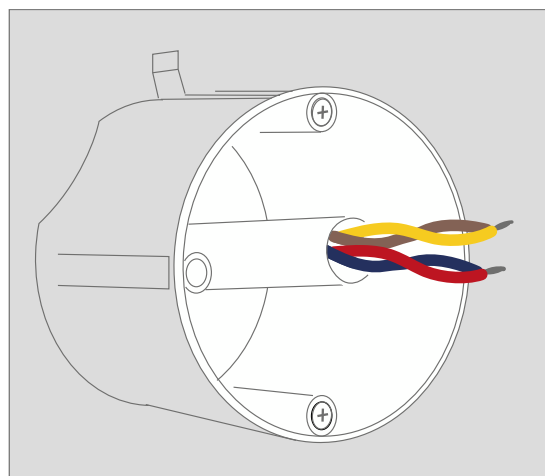
Bitte berechnen Sie die maximale Anzahl der Geräte und die Stromversorgung sorgfältig, abgestimmt auf den Aderdurchmesser und die Kabellänge. Falsche Berechnung und Installation kann zu Überhitzung, Beschädigung, Kurzschluss und Brand führen.



Der Aderdurchmesser ist nur der innere Metallkern, nicht der innere Metallkern plus Plastikummantelung.



Oftmals stehen vor Ort mehr als zwei Adern für den Anschluss einer Innenstation zur Verfügung. Der maximale Strom kann verdoppelt werden, um die maximale Anzahl der installierbaren Geräte zu vergrößern, indem zwei Adern für eine Leitung verwendet werden. In diesem Fall müssen die beiden Adern auf beiden Seiten verdreht werden. Die angelegte Spannung darf 48 V DC nicht überschreiten.



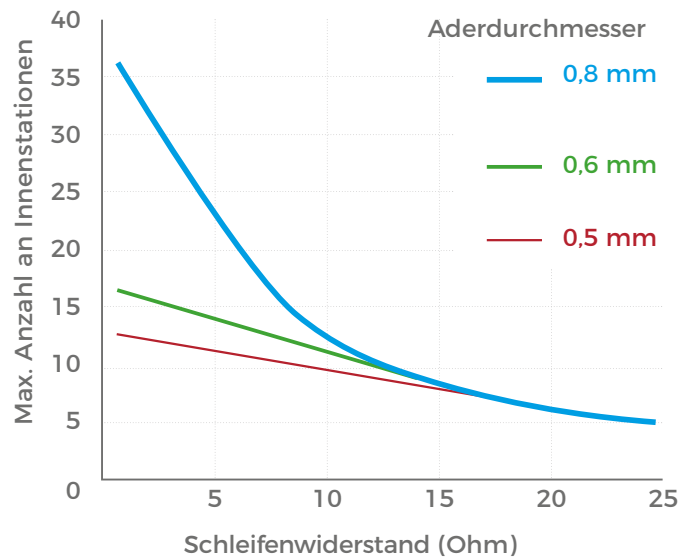
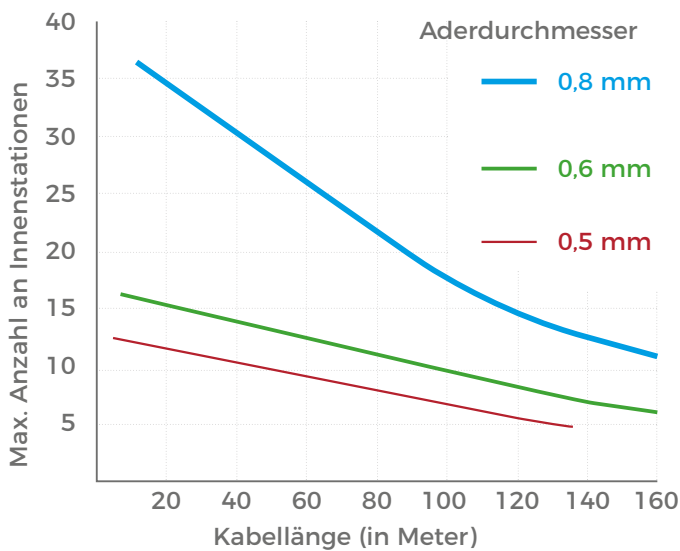
Bei Verwendung von geschirmten Kabeln sollte die Abschirmung miteinander verbunden werden.

INFORMATIONEN FÜR PLANER VON NEUBAUTEN

Wenn Sie wissen, wie viele Geräte installiert werden müssen und Sie die Länge der Kabel kennen, können Sie in der folgenden Tabelle nachschauen, welcher Aderdurchmesser benötigt wird.



Das folgende grafisch dargestellte Szenario wurde unter der Worst-Case Annahme berechnet, dass alle Geräte an das hinterste Ende des Kabels im Gebäude angeschlossen sind. In der Praxis sind die Geräte mehr oder weniger gleichmäßig über die Kabellänge / Etagen verteilt.



Der Schleifenwiderstand (Ohm) kann einfach gemessen werden, indem man die Spannungsversorgung der zu messenden Leitungen abschaltet, die zu messenden Leitungen auf der einen Seite kurzschließt und mit einem Multimeter auf der anderen Seite der Leitungen den Widerstand misst.

SCHRITT 7: MONTAGEHALTER AN DER WAND MONTIEREN

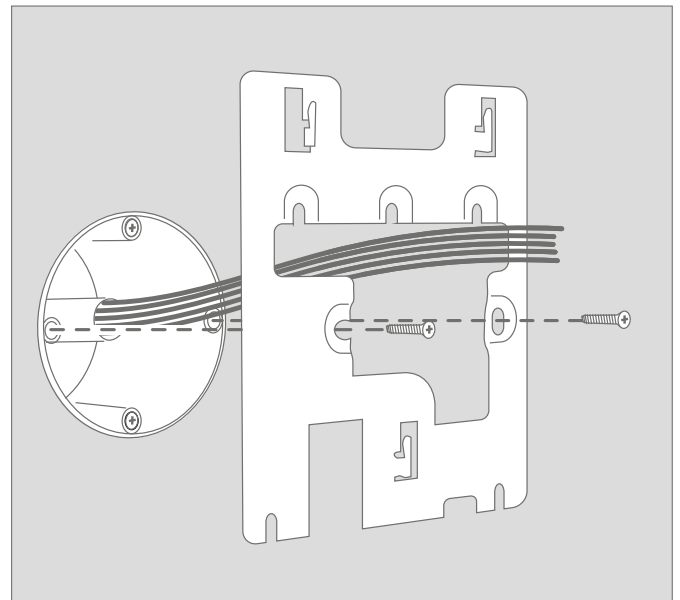
Führen Sie alle Kabel und Leitungen, die Sie an das Gerät anschließen möchten, durch die Montagehalterung. Schrauben Sie die Montagehalterung an die Wand bzw., falls vorhanden, an die Hohlwanddose.

INFORMATIONEN FÜR PLANER VON BESTANDSGEBÄUDEN

Die Länge der Kabel in bestehenden Gebäuden ist oft unbekannt und kann nur grob geschätzt werden. Der Durchmesser der Drähte und der Schleifenwiderstand (Ohm) sind bekannt oder zumindest leicht messbar. Dadurch ist es möglich, die maximale Anzahl der Geräte zu bestimmen, die an ein einzelnes Adernpaar angeschlossen werden können.



Das folgende grafisch dargestellte Szenario wurde unter der Worst-Case Annahme berechnet, dass alle Geräte an das hinterste Ende des Kabels im Gebäude angeschlossen sind. In der Praxis sind die Geräte mehr oder weniger gleichmäßig über die Kabellänge / Etagen verteilt.



SCHRITT 8: GERÄT ANSCHLIESSEN

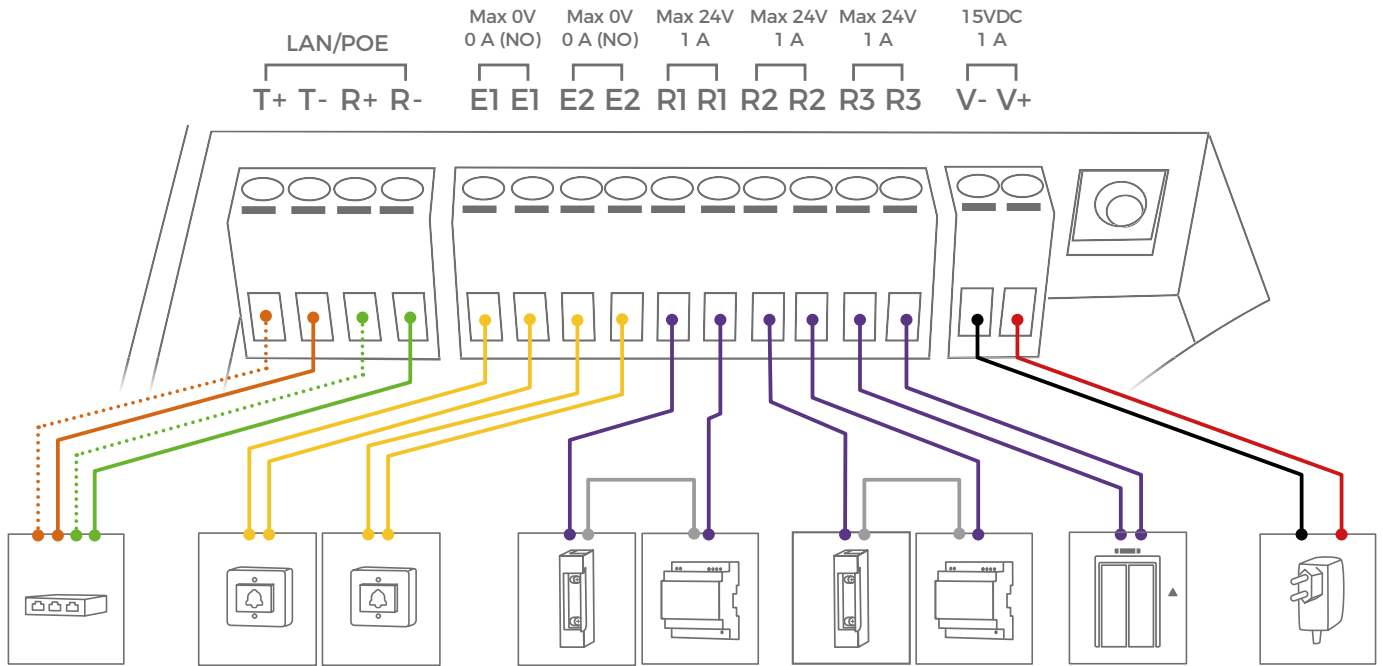
Das Gerät verfügt für ein komfortables und sicheres Anschließen der Kabel und Drähte über beschriftete Schraubanschlussklemmen. Sie können alle erforderlichen Kabel und Adern jetzt anschließen.



Zur einfacheren Installation empfehlen wir dringend, die grünen Schraubanschlussklemmenstecker von der grünen Schraubanschlussklemmenbuchse zu entfernen, während Sie die Kabel und Drähte anschließen.



Entfernen Sie bitte die Kabel und Drähte von den Schraubanschlussklemmensteckern des Geräts, die Sie nicht benötigen.



ANSCHLÜSSE

BESCHREIBUNG

LAN/POE

Das Gerät verfügt nicht über eine integrierte standardisierte RJ45-Buchse, um sicherzustellen, dass ...

- das Gerät möglichst flach auf der Wand aufliegt.
- die Wand nicht aufgestemmt werden muss.
- starke und unflexible Cat.6 oder Cat.7 Installationskabel verwendet werden können.

Verwenden Sie nur vier Adern (1, 2, 3 und 6) eines Standard-Netzwerkkabels Cat.5 oder besser, das vom Internet-Router/PoE-Switch/PoE-Injector kommt.

Cat.5 / Cat.6 Netzwerkkabel

- T+ Weiße und orangefarbene Netzwerkkabelader (Nummer 1, Transmit Data -)
- T- Orangefarbene Netzwerkkabelader (Nummer 2, Transmit Data -)
- R+ Weiße und grünfarbene Netzwerkkabelader (Nummer 3, Receive Data +)
- R- Grünfarbene Netzwerkkabelader (Nummer 6, Receive Data -)

Cat.7 Netzwerkkabel (Installationskabel)

- T+ Weiße Netzwerkkabelader aus dem Aderpaar „orange/weiß“ (Nummer 1, Transmit Data +)
- T- Orange Netzwerkkabelader aus dem Aderpaar „orange/weiß“ (Nummer 2, Transmit Data -)
- R+ Weiße Netzwerkkabelader aus dem Aderpaar „grün/weiß“ (Nummer 3, Receive Data +)
- R- Grüne Netzwerkkabelader aus dem Aderpaar „grün/weiß“ (Number 6, Receive Data -)





Kombinieren Sie die Stromversorgung per Steckernetzteil nicht mit der Stromversorgung per PoE.

E1, E1

Digitaler Eingang (0 V, 0 A (NO)), z.B. für einen Etagenruftaster



Beachten Sie bitte, dass Sie keine Spannung auf diese Anschlüsse geben. Dies kann das Gerät sofort zerstören.

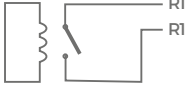
E2, E2

Digital Eingang (0 V, 0 A (NO)), z.B. für einen zweiten Etagenruftaster



Beachten Sie bitte, dass Sie keine Spannung auf diese Anschlüsse geben. Dies kann das Gerät sofort zerstören.

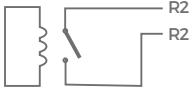
R1, R1



Bi-stabiles selbsthaltendes Schaltrelais #1, **max. 24 V DC/AC, 1 Ampere.**

Sicherheitsfeature: Das Relais behält den Zustand auch bei Spannungsverlust. Sie können den Standardzustand des Relais (geöffnet/ geschlossen) über die DoorBird App konfigurieren. Diese Anschlüsse können verwendet werden, um z.B. einen elektrischen Türöffner oder Aufzugruf anzuschließen. Das Gerät bietet keine Stromversorgung für einen elektrischen Türöffner. Die Stromversorgung für einen elektrischen Türöffner muss separat installiert werden.

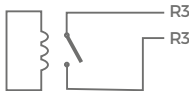
R2, R2



Bi-stabiles selbsthaltendes Schaltrelais #2, **max. 24 V DC/AC, 1 Ampere.**

Sicherheitsfeature: Das Relais behält den Zustand auch bei Spannungsverlust. Sie können den Standardzustand des Relais (geöffnet/ geschlossen) über die DoorBird App konfigurieren. Diese Anschlüsse können verwendet werden, um z.B. einen elektrischen Türöffner oder Aufzugruf anzuschließen. Das Gerät bietet keine Stromversorgung für einen elektrischen Türöffner. Die Stromversorgung für einen elektrischen Türöffner muss separat installiert werden.

R3, R3



Bi-stabiles selbsthaltendes Schaltrelais #3, **max. 24 V DC/AC, 1 Ampere.**

Sicherheitsfeature: Das Relais behält den Zustand auch bei Spannungsverlust. Sie können den Standardzustand des Relais (geöffnet/ geschlossen) über die DoorBird App konfigurieren. Diese Anschlüsse können verwendet werden, um z.B. einen elektrischen Türöffner oder Aufzugruf anzuschließen. Das Gerät bietet keine Stromversorgung für einen elektrischen Türöffner. Die Stromversorgung für einen elektrischen Türöffner muss separat installiert werden.

15 VDC -

Eingang **15 bis 48 V DC** Spannungsversorgung, Minuspol (-). Bitte verbinden Sie die schwarze Ader des mitgelieferten Netzteils (Netzadapter) mit diesem Anschluss, wenn Sie das Gerät nicht mit PoE versorgen.



Kombinieren Sie die Stromversorgung per Steckernetzteil nicht mit der Stromversorgung per PoE.

15 VDC +

Eingang **15 bis 48 V DC** Spannungsversorgung, Pluspol (+). Bitte verbinden Sie die rote Ader des mitgelieferten Netzteils (Netzadapter) mit diesem Anschluss, wenn Sie das Gerät nicht mit PoE versorgen.

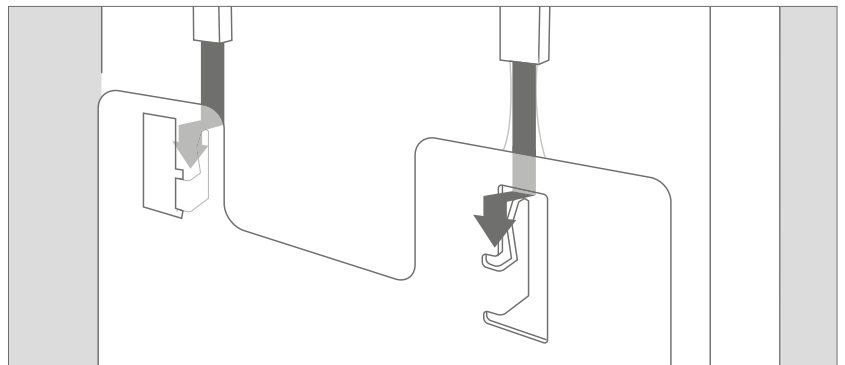
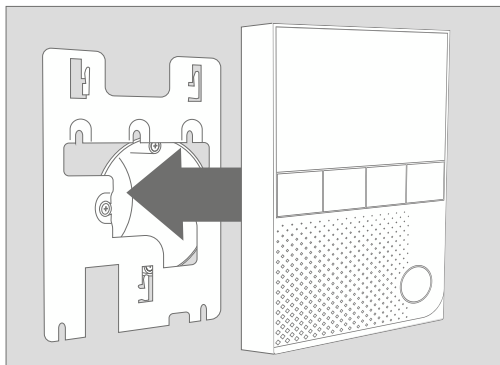


Kombinieren Sie die Stromversorgung per Steckernetzteil nicht mit der Stromversorgung per PoE.



Bitte gehen Sie sorgsam beim Anschluss der Kabel und Drähte vor, ein falscher Anschluss kann das Gerät zerstören. Drähte ohne Isolierungen dürfen nicht aus dem grünen Schraubklemmenanschlusssteckern herausragen, dies kann zu einem elektrischen Kurzschluss und zur Zerstörung des Geräts führen.

SCHRITT 9: GERÄT AN DER MONTAGEHALTERUNG MONTIEREN



Setzen Sie das Gerät auf den Montagehalterung auf. Ziehen Sie das Gerät vorsichtig nach unten, sodass es auf dem Montagehalterung einrastet.

SCHRITT 10: INBETRIEBNAHME

Wenn das Gerät per Steckernetzteil mit Strom versorgt werden soll, stecken Sie das Steckernetzteil des Geräts in eine Wandsteckdose. Wenn das Gerät per PoE mit Strom versorgt werden soll, schalten Sie den PoE-Switch/PoE-Injektor ein, der mit dem Gerät verbunden ist. Wenn das Gerät über ein Hutschienennetzteil versorgt werden soll, schalten Sie das Hutschienennetzteil jetzt ein.

Die Diagnose-LEDs zeigen an, ob das Gerät mit Strom versorgt wird. Diese LEDs leuchten sofort nach dem Anschluss des Gerätes an die Stromversorgung blau auf. Das Gerät ist nun betriebsbereit. Die Diagnose-LEDs erlöschen automatisch, nachdem der Bootvorgang des Geräts abgeschlossen ist.

Sollten die Diagnose LEDs nicht leuchten, prüfen Sie bitte die Stromversorgung. Wenn Sie ein Steckernetzteil und nicht PoE verwenden, prüfen Sie insbesondere, ob Sie den Pluspol und Minuspol korrekt an das Gerät angeschlossen haben.






Bitte beachten Sie, dass sich die Diagnose-LEDs von den LEDs der Statusleiste unterscheiden. Die für die LED-Statusleiste verwendeten LEDs können die Statusleiste vollflächig und in fast jeder Farbe ausleuchten.

Das Gerät ist betriebsbereit (Bootvorgang, etwaige Softwareupdates etc.), sobald dieses einen kurzen Diagnose-Ton aus dem integrierten Lautsprecher ausgegeben hat. Dies kann bis zu 5 Minuten dauern.

SCHRITT 11: DOWNLOAD UND INSTALLATION DER APP

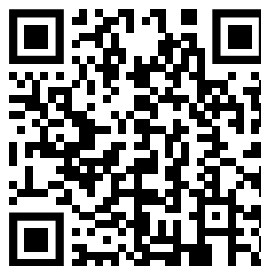
Laden Sie sich die App „DoorBird“ von Bird Home Automation aus dem Apple App Store bzw. Google Play Store auf Ihr mobiles Endgerät herunter. Die stets aktuelle Version der App Bedienungsanleitung finden Sie unter www.doorbird.com/de/support

Wenn Sie für die Verbindung des Geräts zu Ihrem Internetrouter WLAN verwenden, gehen Sie zuerst auf DoorBird App „ > WLAN Setup“ und folgen Sie den Anweisungen. Wenn Sie das WLAN Setup abgeschlossen oder das Gerät per Netzkabel mit Ihrem Internetrouter verbunden haben, öffnen Sie die DoorBird App „ > Administration“ und loggen Sie sich (unter Verwendung der Administrator Zugangsdaten der Türstation) auf der Video Türstation ein, mit der Sie das Gerät koppeln möchten. Sie können das Gerät dort über „Peripherie >  > Hinzufügen“ hinzufügen.

Falls Sie Probleme beim Hinzufügen des Geräts zur App haben, prüfen Sie bitte, ob das Gerät online ist (www.doorbird.com/de/checkonline). Sollte dieses nicht online sein, prüfen Sie bitte die WLAN- bzw. Netzkabelverbindung des Geräts erneut.

Das Gerät ist für den Einbau in Einfamilienhäusern, Büros und Mehrfamilienhäusern konzipiert. Ruftonlautstärke, Rufton etc. können vom Endanwender über den Touchscreen des Gerätes konfiguriert werden. Alle anderen Konfigurationsoptionen wie Wetterstation, Benutzer-Anmeldeinformationen, Kindersicherung (PIN-Einstellungen) etc. sind aus Sicherheitsgründen nur durch Administrator-Anmeldeinformationen über die DoorBird App verfügbar, um zu vermeiden, dass Bewohner das Gerät versehentlich oder absichtlich falsch konfigurieren.

ENDANWENDERHANDBUCH



Als Installateur oder Hausverwalter können Sie das Endanwenderhandbuch unter: www.doorbird.com/downloads/end_user_guide_a1101.pdf herunterladen und an die Endanwender weiterleiten.

DIAGNOSE-LEDS

Sie können sehen, ob das Gerät mit Strom versorgt wird, indem Sie die Diagnose-LEDs überprüfen, die sofort nach dem Anschließen der Stromversorgung blau aufleuchten. Die Diagnose-LEDs erlöschen automatisch, nachdem der Bootvorgang des Geräts abgeschlossen ist.

DIAGNOSETÖNE

Das Gerät gibt nach etwa einer halben Minute bis Minute Töne zur Diagnose aus, nachdem man es mit dem Stromnetz verbunden hat.



FEHLERBEHEBUNG

Das Gerät startet nicht

Wenn das Gerät per Steckernetzteil mit Strom versorgt werden soll, stecken Sie das Steckernetzteil des Geräts in eine Wandsteckdose. Wenn das Steckernetzteil bereits an eine Steckdose angeschlossen war, überprüfen Sie, ob die Kabel und Leitungen korrekt an die grünen Schraubklemmanschlüsse des Geräts angeschlossen sind. In den meisten Fällen hilft das Entfernen der Kabel und Leitungen von den Schraubklemmanschlusssteckern und das Wiederverbinden mit den Schraubanschlusssteckern (loser Kontakt). Wenn Sie mehr als ein Gerät gleichzeitig mit einem gemeinsamen Netzteil betreiben, prüfen Sie, ob das Netzteil über die gesamte Kabellänge ausreichend Strom liefern kann und die Kabel dafür ausgelegt sind.



FEHLERBEHEBUNG

Wenn das Gerät per PoE mit Strom versorgt werden soll, schalten Sie den PoE-Switch / PoE-Injektor ein, der mit dem Gerät verbunden ist. Wenn das PoE-Switch / PoE-Injektor bereits eingeschaltet war, überprüfen Sie, ob die Kabel und Leitungen korrekt an die grünen Schraubklemmanschlüsse des Geräts angeschlossen sind. In den meisten Fällen hilft das Entfernen der Kabel und Leitungen von den Schraubklemmanschlusssteckern und das Wiederverbinden mit den Schraubanschlusssteckern (loser Kontakt). Wenn das Problem weiterhin besteht, überprüfen Sie bitte, ob Ihr PoE-Switch / PoE-Injektor den PoE-Standard IEEE 802.3af Mode A unterstützt, siehe auch www.doorbird.com/de/poe

Wenn das Gerät über ein Hutschinennetzteil versorgt werden soll, schalten Sie die das Hutschinennetzteil jetzt ein. Wenn das Hutschinennetzteil bereits eingeschaltet war, überprüfen Sie, ob die Kabel und Leitungen korrekt an die grünen Schraubklemmanschlüsse des Geräts angeschlossen sind. In den meisten Fällen hilft das Entfernen der Kabel und Leitungen von den Schraubklemmanschlusssteckern und das Wiederverbinden mit den Schraubanschlusssteckern (loser Kontakt). Wenn Sie mehr als ein Gerät gleichzeitig mit einem gemeinsamen Netzteil betreiben, prüfen Sie, ob das Netzteil über die gesamte Kabellänge ausreichend Strom liefern kann und die Kabel dafür ausgelegt sind.

Das Gerät verbindet sich nicht mit dem Netzwerk über WLAN („No Network“ Diagnoseton).

In den meisten Fällen ist Ihr WLAN-Signal zu schwach. Bitte führen Sie das WLAN-Setup mit der DoorBird App erneut durch.

Sie können das WLAN-Signal verstärken, indem Sie sogenannte „WLAN-Repeater“ verwenden, die Ihr WLAN-Signal verstärken können. Sie sollten einen solchen WLAN-Repeater in der Nähe des Montageortes des Geräts installieren, normalerweise in Ihrem Haus in der Nähe des Geräts.

Wenn das Problem weiterhin besteht, überprüfen Sie bitte, ob Ihr WLAN-Router / WLAN-Access Point das Gerät nicht blockiert, z.B. durch einen MAC-Adressfilter.

Wenn das Problem weiterhin besteht, überprüfen Sie bitte, ob Ihr WLAN-Router / WLAN-Access Point „DHCP Server“ eingeschaltet hat und dem Gerät eine IP-Adresse zuweisen kann.

Das Gerät verbindet sich nicht über ein Netzwerkkabel mit dem Netzwerk („No Network“ Diagnoseton).

In den meisten Fällen hilft das Entfernen der Kabel und Leitungen von den Schraubklemmanschlusssteckern und das Wiederverbinden mit den Schraubanschlusssteckern (loser Kontakt).

Wenn das Problem weiterhin besteht, überprüfen Sie bitte, ob das Netzwerkkabel ordnungsgemäß mit Ihrem Router/Switch verbunden ist und das Netzwerkkabel nicht beschädigt ist.

Wenn das Problem weiterhin besteht, überprüfen Sie bitte, ob Ihr Router „DHCP Server“ eingeschaltet hat und dem Gerät eine IP-Adresse zuweisen kann.

Das Gerät stellt keine Verbindung zum Internet her („No Internet“ Diagnoseton).

In den meisten Fällen ist Ihr Internet nicht erreichbar/gestört oder Ihr Router blockiert den Internetzugang für das Gerät. Bitte besuchen Sie www.doorbird.com/downloads/ports.pdf

TECHNISCHE DATEN

ALLGEMEINES

Montageart	Aufputz, Tischständer separat erhältlich
Stromversorgung	15 - 48 V DC (max. 15 W) oder Power over Ethernet (PoE 802.3af Mode-A)
Gewicht	336 g
Anschlüssen	<ul style="list-style-type: none"> • LAN/PoE (T+, T-, R+, R-) • Digitaler Eingang #1 (0 V, 0 A (NO)), z.B. für einen Etagenruftaster • Digitaler Eingang #2, (0 V, 0 A (NO)), z.B. für einen zweiten Etagenruftaster • Bi-stabiles selbsthaltendes Schaltrelais #1, max. 24 V DC/AC, 1 Ampere, z.B. für elektrischen Türöffner oder Fahrstuhl • Bi-stabiles selbsthaltendes Schaltrelais #2, max. 24 V DC/AC, 1 Ampere, z.B. für elektrischen Türöffner oder Fahrstuhl • Bi-stabiles selbsthaltendes Schaltrelais #3, max. 24 V DC/AC, 1 Ampere, z.B. für elektrischen Türöffner oder Fahrstuhl • 15 - 48 V DC input (+, -), max. 15 W
Leistungsaufnahme	5 W
Zulassungen	CE, FCC, IC, RoHS, IP50
Abmessung	179,5 x 115 x 25 mm (H x B x T) 7.07 x 4.53 x 0.98 in (H x B x T)
Betriebsbedingungen	0 bis +55°C / 32 bis 131°F Relative Luftfeuchtigkeit 0 % bis 85 % (nicht kondensierend)
Lieferumfang	1 x IP Video Innenstation 1 x Montagehalterung 1 x Steckernetzteil (110 - 240 V AC auf 15 V DC) mit 4 Landesadaptern 1x Installationsanleitung 1x Quickstartanleitung mit Digital Passport 1x Kleinteile
EAN	4260423860902
Garantie	Siehe www.doorbird.com/de/warranty

DERZEITIGE SYSTEMVORAUSSETZUNGEN

	Mobiles Endgerät: Neuestes iOS auf iPhone/iPad, neuestes Android auf Smartphone/Tablet
Systemanforderungen	Internet: High-Speed Festnetz Breitband Internetanschluss, DSL, Kabel oder Glasfaser, kein Socks- oder Proxyserver Netzwerk: Ethernet Netzwerk, mit DHCP
Unterstützte Türstationen	Jede DoorBird IP Video Türstation

DISPLAY

Abmessung	4" True Color LCD
Touch	Ja, kapazitiv

AUDIO

Audio Komponenten	Lautsprecher und Mikrofon, Echo- und Rauschunterdrückung (AEC, ANR)
Audio Streaming	Zwei-Wege

NETZWERK

Ethernet	PoE 802.3af Mode-A
WLAN	802.11 b/g/n 2.4 GHz

INTEGRIERTE FUNKMODULE

WLAN	802.11 b/g/n 2.4 GHz
------	----------------------

OPTIONALES ZUBEHÖR

Seperat erhältlich	siehe www.doorbird.com/de/buy
--------------------	--

RECHTLICHE HINWEISE

Allgemeines

1. DoorBird ist ein registriertes Warenzeichen der Bird Home Automation GmbH.
2. Apple, das Apple Logo, Mac, Mac OS, Macintosh, iPad, Multi-Touch, iOS, iPhone und iPod touch sind Warenzeichen von Apple Inc.
3. Google, Android und Google Play sind Warenzeichen von Google, Inc.
4. Die Bluetooth® Wortmarke und Logos sind Warenzeichen von Bluetooth SIG, Inc.
5. Alle anderen Firmen- und Produktnamen können Warenzeichen der jeweiligen Firmen sein, mit denen sie in Verbindung gebracht werden.
6. Änderungen an unseren Produkten, die dem technischen Fortschritt dienen, behalten wir uns vor. Die abgebildeten Produkte können im Zuge der ständigen Weiterentwicklung auch optisch von den ausgelieferten Produkten abweichen.
7. Abdrucke oder Übernahme von Texten, Abbildungen und Fotos in beliebigen Medien aus dieser Anleitung – auch auszugsweise – sind nur mit unserer ausdrücklichen schriftlichen Genehmigung gestattet.
8. Die Gestaltung dieser Anleitung unterliegt dem Urheberrecht. Für eventuelle Irrtümer, sowie inhaltliche- bzw. Druckfehler (auch bei technischen Daten oder innerhalb von Grafiken und technischen Skizzen) übernehmen wir keine Haftung.
9. Unsere Produkte entsprechen den in Deutschland, der in Deutschland, EU und USA geltenden technischen Richtlinien, elektrischen Bestimmungen und Telekommunikationsbestimmungen.

Datenschutz und Datensicherheit

1. Für maximale Sicherheit verwendet das Gerät dieselben Verschlüsselungstechnologien wie beim Onlinebanking. Zu Ihrer Sicherheit sind auch keine Portweiterleitungen oder DynDNS im Einsatz.
2. Der Standort des Rechenzentrums für den Fernzugriff per App über das Internet ist verbindlich in der EU, wenn der festgestellte Internet IP-Adressen Standort des Geräts in der EU ist. Das Rechenzentrum wird nach strengsten Sicherheitsstandards betrieben.
3. Video-, Audio- und jede andere Überwachungsmethode können durch Gesetze geregelt werden, die von Land zu Land variieren. Überprüfen Sie die Gesetze in Ihrer Region vor der Installation und Verwendung dieses Gerätes für Überwachungszwecke.

Wenn es sich bei dem Gerät um eine Tür-, Innenstation oder Kamera handelt:

- In vielen Ländern darf Videobild und Sprache erst dann übertragen werden, wenn ein Besucher geklingelt hat (Datenschutz, konfigurierbar in der App)
- Führen Sie die Montage so durch, dass sich der Erfassungsbereich der Kamera ausschließlich auf den unmittelbaren Eingangsbereich beschränkt.
- Das Gerät verfügt ggf. über eine integrierte Besucherhistorie und Bewegungssensor. Sie können diese Funktionen, wenn erforderlich, aktivieren/deaktivieren.

Erkundigen Sie sich beim Eigentümer und Ihrer Hausgemeinschaft, ob Sie dieses Produkt installieren und verwenden dürfen. Bird Home Automation GmbH übernimmt keine Verantwortung für den Missbrauch oder die Fehlkonfiguration dieses Produktes, auch nicht durch unerwünschtes Öffnen einer Tür.

Bird Home Automation kann nicht für Schäden haftbar gemacht werden, die durch unsachgemäße bestehende Installationen oder unsachgemäße Installation entstehen.

Weisen Sie bei Erfordernis an geeigneter Stelle

und in geeigneter Form auf das Vorhandensein des Geräts hin.

Beachten Sie alle am Installationsort geltenden relevanten landespezifischen, gesetzlichen Regelungen für den Einsatz von Überwachungskomponenten und Überwachungskameras.

Software Updates bzw. Aktualisierungen des Betriebssystems (so genannte „Firmware-Updates“) werden im Normalfall automatisch in die Produkte der Bird Home Automation GmbH über das Internet eingespielt, sofern technisch möglich. Mit automatischen Firmware-Updates wird die Software der Produkte auf dem neuesten verfügbaren Stand gehalten, damit sie stets zuverlässig, sicher und leistungsstark arbeiten. Durch Weiterentwicklung können Funktionen im Zeitverlauf hinzugefügt, erweitert oder geringfügig geändert werden. Größere Änderungen bzw. Einschränkungen bereits vorhandener Funktionen erfolgen im Normalfall nur, sofern Bird Home Automation GmbH dies für erforderlich hält (z.B. aus Datenschutz-, Datensicherheits- oder Stabilitätsgründen oder um sie auf dem Stand der Technik zu halten). Wenn ein Firmware-Update verfügbar ist, verteilen es die Server der Bird Home Automation GmbH im Normalfall automatisch an alle kompatiblen Produkte, die mit dem Internet bzw. Server der Bird Home Automation GmbH verbunden sind. Dieser Prozess erfolgt schrittweise und kann mehrere Wochen dauern. Wenn ein Produkt ein Firmware-Update erhält, installiert es dieses und startet im Normalfall neu. Installierte Firmware-Updates können nicht rückgängig gemacht werden. Da es sich bei den Produkten und der Software der Bird Home Automation GmbH nicht um explizit kundenspezifisch entwickelte Produkte handelt, kann ein Kunde ein automatisches Update nicht verwehren, sofern das Produkt mit dem Internet bzw. Server der Bird Home Automation GmbH verbunden ist.

Entsorgungshinweis

Gerät nicht im Hausmüll entsorgen! Elektronische Geräte sind entsprechend der Richtlinie über Elektro- und Elektronik Altgeräte zu entsorgen, z.B. über die örtlichen Sammelstellen für Elektronik-Altgeräte.

Herausgeber

Bird Home Automation GmbH
Joachimsthaler Str. 12
10719 Berlin
Deutschland

Web: www.doorbird.com
Email: hello@doorbird.com

Space for notes / Platz für Notizen



DoorBird
Technology meets Design.